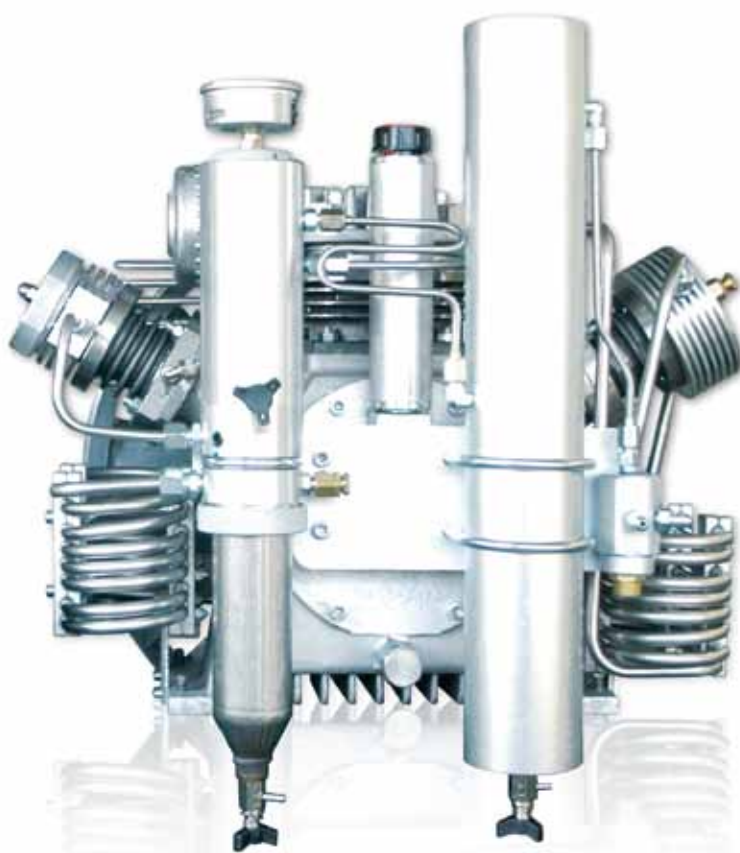


AEROTECNICA COLTRI®

www.aerotecnicacoltri.com

MCH13-16/SH Standard
MCH13-16/DL Standard
MCH13-16/DY Standard
MCH13-16/EM Standard
MCH13-16/ET Standard
MCH13-16/SH Tech
MCH13-16/DL Tech
MCH13-16/DY Tech
MCH13-16/SH MiniTech
MCH13-16/DL MiniTech
MCH13-16/DY MiniTech
MCH8-11/EM Compact
MCH13-16/ET Compact
MCH26-32/ET Compact
MCH13-16-18/ET Compact Evo
MCH13-16/ET Compact M
MCH13-16-18/ETS Super Silent Evo
MCH13-16/ETS MiniSilent
Tropical
Tropical Plus

R-MCH13-16-1004



CATALOGO RICAMBI - SPARE PARTS LIST

MCH 13-16

Compressore ad alta pressione per aria respirabile e gas tecnici
High pressure compressors for pure breathing air and technical gases

General terms of sale

1. Supply of the devices and goods we produce is regulated by the undersigned "GENERAL TERMS OF SALE: THESE TERMS ARE ESSENTIAL AND CUSTOMERS OR BUYERS MUST EXPLICITLY STATE THAT THEY UNDERSTAND, APPROVE AND ACCEPT THEM IN FULL".

Any exceptions must be explicitly agreed on in writing.

2. All orders are accepted subject to approval on the part of our company. Partial or total cancellation of orders does not imply any civil liability on our part and cannot therefore give rise to any claims for damages. Orders are understood to be accepted only after approval and written confirmation. Not all shipments are packaged in the same way.

3. Delivered goods shall become the buyer's property only when the last instalment has been paid, capital, interest and expenses included. Should instalments exceeding one eighth of the price fail to be paid, the seller reserves the right to terminate the contract and request the return of the goods. In this event all previously paid instalments shall be retained as compensation for use of the goods and as a penalty for defaulting. The return of the goods shall be managed by the seller at the buyer's expense.

4. Sales prices are as illustrated on the price list in force at the time the ordered goods are delivered. Our company therefore reserves the right to modify, at any time, price lists with regard to both the products we produce ourselves and those we market and for which the supplier may request unexpected price rises for reasons beyond our control. Price lists refer to goods delivered ex-works unless agreed otherwise in writing. VAT and any other present or future taxes shall be borne by the buyer. The price agreed in these terms of sale shall be accepted by the buyer and our company cannot therefore accept discounts or rounding down.

5. Delivery deadlines indicated on orders are indicative and do not bind our company. Deadlines shall be observed where stocks so allow. Delays in clearing orders shall not grant the buyer the right to cancel the order or request compensation for any cause and/or reason.

6. Goods are transported exclusively at the buyer's risk, even where goods are transported using our own vehicles or those belonging to third parties authorised by us. Transport costs shall be borne by the buyer in full unless agreed otherwise in writing. On receiving our packages the customer shall inspect them attentively and do so before signing the transport document for acceptance. Any non-compliance vis-à-vis the external aspect of the goods, damage and/or non-compliant weight, missing boxes etc. must be reported in writing on the transport document, a copy of which is returned to us. Claims concerning delivered goods cannot be accepted once 8 days have elapsed from their delivery and goods must not be returned for any reason without first obtaining our written permission.

7. The warranty on devices and goods produced by our company itself is limited to a period of 12 months as from the date of delivery. Parts we acknowledge to be faulty shall be replaced as long as they have not undergone alterations during assembly or been employed by the user in an improper manner with respect to the information contained in our use and maintenance manual and/or with reference to UNI-EN-ISO standards. Our articles are produced and quality-controlled as per UNI-EN-ISO standards. In any event our liability is limited solely to the replacement of the faulty part and our company cannot be held liable for any consequence or damage deriving from the supply of the complete system. No additional and/or supplementary expenses/costs shall be acknowledged for assembly, disassembly, return shipment of materials to be repaired or replaced under warranty, for the selection and any purchase of replacement goods or production downtimes nor for any recalls of your articles. For warranties on articles marketed but not actually manufactured by us we are bound by the limits imposed on us by the supplier/producer.

8. Terms of payment indicated on orders are intended, after acceptance of the order, as binding for the purchaser. Disputes shall not in any way authorise the buyer to suspend, delay, defer or curtail etc. payment of our invoices in any way. Any objections/criticism must be, in order to be valid, made clearly and precisely in writing, no more than 8 days after the date of arrival and delivery of the goods, by sending a fax or e-mail to this company's head office before such 8-day period expires. Interest shall be added to delayed or deferred payments as per Italian Law D.Lgs. 231/2002. In any event the purchaser shall only become the sole owner of the goods when the latter have been paid for in full, that is, in compliance with Italian Civil Code C.C. articles 1523 and amendments.

9. The agreed competent court for any disputes is the FORO DI BRESCIA and proceedings shall adhere to the Italian laws in force.

Collection of material from our warehouses

If material is to be collected directly from our warehouses by members of your personnel unknown to our warehouse staff, you are kindly required to provide them with suitable written authorisation (e.g. copy of order indicating name of person entrusted with collection).

Information regarding Art. 30 of Italian Law D.Lgs 196/2003:

This is to inform customers and/or suppliers and, in compliance with the relevant law, acquire their consent for treatment of personal data for administrative and accounting purposes and so allow business relations to be carried out correctly. Your data shall be processed using suitable IT tools and internal procedures that comply with the standards required by law and adopted by AEROTECNICA COLTRI S.p.A.

Stamp and signature for acceptance _____

Read, approved and undersigned for the specific acceptance of the general terms of sale, namely points 3 (reservation of title), 4 (sales prices), 5 (limitation of liability), 6 (delivery – complaints), 7 (warranty – applications/exclusions), 8 (terms of payment), 9 (choice of jurisdiction).

Stamp and signature for acceptance _____

INDICE - INDEX

Tavola	Drawing	Pagina Page
Monoblocco	Crankcase Assembly	6
Livello Olio Mod: Standard - Tech - MiniTech - Compact - Compact M - Compact Evo - MiniSilent - SuperSilent Evo	Oil Level	8
Livello Olio Mod: MCH26-32/ET Compact - Tropical - Tropical Plus	Oil Level	10
1° Stadio	1st Stage	12
2° Stadio	2nd Stage	14
3° Stadio	3rd Stage	16
Circuito di Pressione	Pressure Circuit	18
Circuito di Pressione Mod: Tropical - Tropical Plus	Pressure Circuit	20
Supporti	Support	22
Supporti Mod: Tropical - Tropical Plus	Support	24
Circuito di Filtrazione Mod: Standard - MiniTech	Filtering Circuit	26
Circuito di Filtrazione Mod: Tech	Filtering Circuit	28
Circuito di Filtrazione Mod: Compact, Compact M	Filtering Circuit	30
Circuito di Filtrazione Mod: Compact Evo	Filtering Circuit	32
Circuito di Filtrazione Mod: Mini Silent	Filtering Circuit	34
Circuito di Filtrazione Mod: Super Silent Evo	Filtering Circuit	36
Circuito di Filtrazione Mod: MCH26-32/ET Compact	Filtering Circuit	38
Circuito di Filtrazione Mod: Tech Tropical - Tech Tropical Plus	Filtering Circuit	40
Circuito di Filtrazione Mod: Super Silent Evo Tropical - Super Silent Evo Tropical Plus	Filtering Circuit	42
Scarico Condensa Mod: Standard - Tech - MiniTech	Condensate Discharge	44
Scarico Condensa Mod: Compact - Compact M - Compact Evo	Condensate Discharge	45
Scarico Condensa Mod: Mini Silent	Condensate Discharge	48

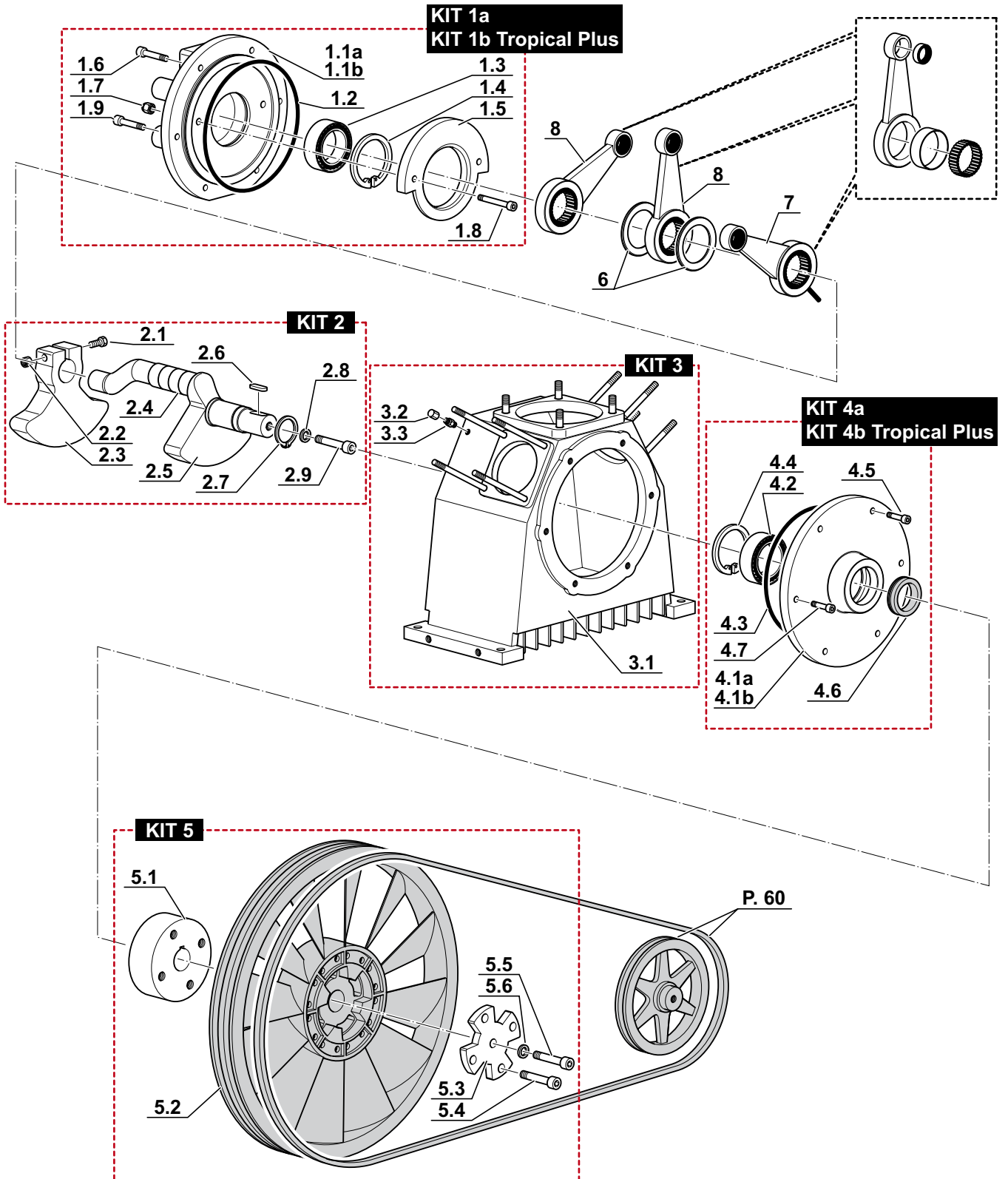
INDICE - INDEX

Tavola	Drawing	Pagina Page
Scarico Condensa Mod: Super Silent Evo	Condensate Discharge	50
Scarico Condensa Mod: MCH26-32/ET Compact	Condensate Discharge	52
Filtro Carboni Attivi/Setaccio Molecolare	Active Carbon Filter/Molecular Sieve	54
Hyperfilter Carboni Attivi/Setaccio Molecolare	Active Carbon Hyperfilter/Molecular Sieve	56
Separatore di Condensa	Condensate Separator	58
Valvola di sicurezza	Safety valve	60
Valvola mantenimento pressione	Pressure maintenance valve	62
Puleggia Motore/Cinghia di Trasmissione	Engine Pulley/Transmission Belt	64
Targhette di sicurezza	Safety info label	66
Attacchi per ricarica bombole	Cylinder refill connectors	68

MONOBLOCCO - CRANKCASE ASSEMBLY

	Rif. Pos.	Q.tà Q.ty	Codice Code	Descrizione	Description
	KIT1a	1	13-00-0050/R	KIT FLANGIA LATO FILTRI MCH13/16	FILTER SIDE FLANGE MCH13/16 KIT
KIT 1a	1.1a	1	13-00-0050	FLANGIA LATO FILTRI MCH13/16	FILTER SIDE FLANGE MCH13/16
	1.2	1	13-00-0062	O-RING 2562 NBR 70 FLANGIA	FLANGE O-RING 2562
	1.3	1	13-00-0042	CUSCINETTO RULLI FLANGIA NU305	FLANGE ROLLER BEARING NU305
	1.4	1	13-00-0055	ANELLO ELASTICO SEEGER J 62 DIN 472	SEEGER RETAINING RING J 62
	1.5	1	13-01-0042/N	FLANGIA MEZZALUNA DIAM. 140X80 SP. 10/10	HALF MOON FLANGE 140X80 SP. 10/10 MCH13/16
	1.6	4	13-00-0048	VITE 8X25 T.C.E. ZINC. DIN 912	SCREW 8X25 T.C.E. ZINC. DIN 912
	1.7	2	13-00-0137	DADO ZINCATO AUTOBLOC. M6 ALTO	SELF LOCKING NUT M6 HIGH
	1.8	2	13-00-0067	VITE 6X35 T.C.E. ZINC. DIN 912	SCREW 6X35 T.C.E. ZINC. DIN 912
	1.9	2	13-00-0075	VITE T.C.E. ZINCATA 8x30	SCREW T.C.E. ZINCATA 8x30
	KIT1b	1	13-00-0050/TR/R	KIT FLANGIA LATO FILTRI MCH13/16 PER TROPICAL	FILTER SIDE FLANGE MCH13/16 FOR TROPICAL KIT
KIT 1b Tropical Plus	1.1b	1	13-00-0050/TR	FLANGIA LATO FILTRI MCH13/16 PER TROPICAL	FILTER SIDE FLANGE MCH13/16 FOR TROPICAL
	1.2	1	13-00-0062	O-RING 2562 NBR 70 FLANGIA	FLANGE O-RING 2562
	1.3	1	13-00-0042	CUSCINETTO RULLI FLANGIA NU305	FLANGE ROLLER BEARING NU305
	1.4	1	13-00-0055	ANELLO ELASTICO SEEGER J 62 DIN 472	SEEGER RETAINING RING J 62
	1.5	1	13-01-0042/N	FLANGIA MEZZALUNA DIAM. 140X80 SP. 10/10	HALF MOON FLANGE 140X80 SP. 10/10 MCH13/16
	1.6	4	13-00-0048	VITE 8X25 T.C.E. ZINC. DIN 912	SCREW 8X25 T.C.E. ZINC. DIN 912
	1.7	2	13-00-0137	DADO ZINCATO AUTOBLOC. M6 ALTO	SELF LOCKING NUT M6 HIGH
	1.8	2	13-00-0067	VITE 6X35 T.C.E. ZINC. DIN 912	SCREW 6X35 T.C.E. ZINC. DIN 912
	1.9	2	13-00-0075	VITE T.C.E. ZINCATA 8x30	SCREW T.C.E. ZINCATA 8x30
	KIT2	1	13-00-0098/R	KIT COLLO D'OCA MCH13/16	CRANKSHAFT MCH13/16 KIT
KIT 2	2.1	1	13-00-0104	VITE T.C.E. ZINCATA 8x65	8X65 TCE SCREW
	2.2	1	13-00-0101	DADO ZINCATO AUTOBLOC. M8 ALTO	8MM SELF-LOCKING NUT
	2.3	1	13-00-0100	CONTRAPPESO MCH13	COUNTERWEIGHT
	2.4	3	13-00-0132	ANELLO TEMPRATO LR 30X35X16,5	HARDENED RING
	2.5	1	13-00-0098	COLLO D'OCA MCH13/16	CRANKSHAFT MCH13/16
	2.6	1	13-00-0099	CHIAVETTA MM.8X7X25	KEY MM.8X7X25
	2.7	1	13-00-0055	ANELLO ELASTICO SEEGER J 62 DIN 472	SEEGER RETAINING RING J 62
	2.8	1	13-00-0079	RONDELLA PIANA M12 ZINCATA	WASHER M12 FLAT ZINC
	2.9	1	13-00-0080	VITE 12X35 T.C.E. ZINC. DIN912	SCREW 12X35 T.C.E. ZINC. DIN912
	KIT3	1	13-00-0001/R	KIT MONOBLOCCO MCH13-16	CRANKCASE MCH13-16
KIT 3	3.1	1	13-00-0001	MONOBLOCCO MCH13-16	CRANKCASE MCH13-16
	3.2	1	13-00-0139	TAPPO 1/8 NPT CIECO	PLUG 1/8 NPT
	3.3	1	RACC0618	RACC.DIAM. 6 1/8 NPT	CONNECTION TUBE 6 1/8 NPT
	KIT4a	1	13-00-0071/R	KIT FLANGIA LATO VENTOLA MCH 13/16	FAN SIDE FLANGE MCH13-16 KIT
KIT 4a	4.1a	1	13-00-0071	FLANGIA LATO VENTOLA MCH 13/16	FAN SIDE FLANGE MCH13-16
	4.2	1	13-00-0070	CUSCINETTO A RULLI 6206	BEARING ROLLER 6302
	4.3	1	13-00-0062	O-RING 2562 NBR 70 FLANGIA	FLANGE O-RING 2562
	4.4	1	13-00-0055	ANELLO ELASTICO SEEGER J 62 DIN 472	SEEGER RETAINING RING J 62
	4.5	4	13-00-0048	VITE 8X25 T.C.E. ZINC. DIN 912	SCREW 8X25 T.C.E. ZINC. DIN 912
	4.6	1	13-00-0073	PARAOLIO 30X48X8	OIL SPLASH GUARD 30-48-8
	4.7	2	13-00-0075	VITE T.C.E. ZINCATA 8x30	SCREW T.C.E. ZINCATA 8x30
	KIT4b	1	13-00-0071/TR/R	KIT FLANGIA LATO VENTOLA MCH 13/16 X TROPICAL PLUS	FAN SIDE FLANGE MCH13-16 TROPICAL PLUS KIT
KIT 4b Tropical Plus	4.1b	1	13-00-0071/TR	FLANGIA LATO VENTOLA MCH 13/16 X TROPICAL PLUS	FAN SIDE FLANGE MCH13-16 TROPICAL
	4.2	1	13-00-0070	CUSCINETTO A RULLI 6206	BEARING ROLLER 6302
	4.3	1	13-00-0062	O-RING 2562 NBR 70 FLANGIA	FLANGE O-RING 2562
	4.4	1	13-00-0055	ANELLO ELASTICO SEEGER J 62 DIN 472	SEEGER RETAINING RING J 62
	4.5	4	13-00-0048	VITE 8X25 T.C.E. ZINC. DIN 912	SCREW 8X25 T.C.E. ZINC. DIN 912
	4.6	1	13-00-0073	PARAOLIO 30X48X8	OIL SPLASH GUARD 30-48-8
	4.7	2	13-00-0075	VITE T.C.E. ZINCATA 8x30	SCREW T.C.E. ZINCATA 8x30
	KIT5	1	13-00-0077/R	KIT VENTOLA DI RAFFREDDAMENTO MCH13/16	COOLING FAN WHEEL MCH13-16 KIT
KIT 5	5.1	1	13-00-0074	MOZZO PORTAVENTOLA MCH13/16	FAN-HOLDING HUB MCH13/16
	5.2	1	13-00-0077	VENTOLA DI RAFFREDDAMENTO MCH13/16	COOLING FAN WHEEL MCH13-16
	5.3	1	13-00-0082	FLANGIA VENTOLA MCH13/16	COOLING FAN FLANGE MCH13/16
	5.4	4	13-00-0081	VITE 10X40 T.C.E. ZINC.	SCREW 10X40 T.C.E. ZINC.
	5.5	1	13-00-0080	VITE 12X35 T.C.E. ZINC. DIN912	SCREW 12X35 T.C.E. ZINC. DIN912
	5.6	1	13-00-0079	RONDELLA PIANA M12 ZINCATA	WASHER M12 FLAT ZINC
6	2	13-00-0106	RALLA AS 3552	SPACER	
7	1	13-00-0105	BIELLA SECONDO STADIO MCH13/16	2ND STAGE CON-ROD ASS.BLY MCH13/16	
8	2	13-01-0107	BIELLA PRIMO/TERZO STADIO MCH13/16	1ST/3RD STAGE CON-ROD ASS.BLY	

MONOBLOCCO - CRANKCASE ASSEMBLY



LIVELLO OLIO - OIL LEVEL

Mod: Standard - Tech - MiniTech - Compact - Compact M - Compact Evo - MiniSilent - SuperSilent Evo

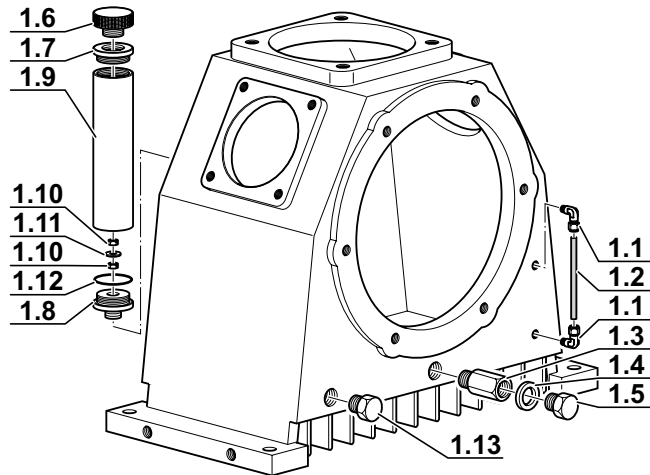
Rif. Pos.	Q.tà Q.ty	Codice Code	Descrizione	Description	Prezzo
1.1	2	13-00-0021	RACCORDO 90° 1/8 NPT	FITTING 90° 1/8 NPT	
1.2	1	13-00-0064	TUBO CONTROLLO LIVELLO OLIO	OIL LEVEL CHECK TUBE MCH13/16	
1.3	1	13-00-0052	PROLUNGA SCARICO OLIO	FITTING FOR OIL DISCHARGE	
1.4	1	13-00-0053	GUARNIZIONE RAME 21,5x28x1,5	COPPER GASKET 21,5x28x1,5	
1.5	1	13-00-0063	TAPPO SCARICO OLIO	OIL DRAIN PLUG	
1.6	1	13-00-0090	TAPPO 1/2 (ROSSO) CARICO OLIO CON SFIATO MCH13/16	OIL FILLING CAP 1/2 (RED) MCH13/16 WITH BREATHER	
1.7	1	13-00-0065A	RACCORDO SUPERIORE TUBO CARICO OLIO MCH13/16	HIGHER OIL CHARGE TUBE FITTING MCH13/16	
1.8	1	13-00-0065	RACCORDO INFERIORE TUBO CARICO OLIO MCH13/16	LOWER OIL CHARGE TUBE FITTING MCH13/16	
1.9	1	13-00-0076	TUBO CARICO OLIO MCH13-16	OIL FILLING TUBE MCH13/16	
1.10	2	13-00-0018	DADO ZINCATO M8 MEDIO	MIDDLE NUT M8 ZINC.	
1.11	1	RON/8	RONDELLA PIANA ZINCATA M8	M8 WASHER FLAT ZINC	
1.12	1	13-00-0061	O-RING 3137 NBR70 (34.60x2.62) CARICO OLIO	O-RING TUBE OIL CHARGE NBR 70 (34,6X2,62)	
1.13	1	13-00-0063/NPT	TAPPO OIL ALERT 1/2-14 NPT - MCH-13/16	OIL ALERT 1/2-14 NPT - MCH-13/16 PLUG	
2.1	3	13-00-0021	RACCORDO 90° 1/8 NPT	FITTING 90° 1/8 NPT	
2.2	2	13-00-0064	TUBO CONTROLLO LIVELLO OLIO	OIL LEVEL CHECK TUBE MCH13/16	
2.3	1	13-00-0052	PROLUNGA SCARICO OLIO	FITTING FOR OIL DISCHARGE	
2.4	1	13-00-0053	GUARNIZIONE RAME 21,5x28x1,5	COPPER GASKET 21,5x28x1,5	
2.5	1	13-00-0063	TAPPO SCARICO OLIO	OIL DRAIN PLUG	
2.6	1	RACC0818R	RACC. DIAM. 8 1/8 PER TUBO RILS	CONNECTION .DIAM. 8 1/8 FOR RILS TUBE	
2.7	2	13-04-0218	RACCORDO SUP. LIVELLO OLIO	OIL LEVEL UPPER FITTING	
2.8	4	GUAR-LIV-OLIO	GUARNIZIONE LIVEL. OLIO 10x20x3	10x20x3 OIL LEVEL GASKET	
2.9	2	13-00-0063/NPT	TAPPO OIL ALERT 1/2-14 NPT - MCH-13/16	OIL ALERT 1/2-14 NPT - MCH-13/16 PLUG	
2.10	1	13-04-0229	LIVELLO OLIO SLV/127/M10	OIL LEVEL SLV/127/M10	
2.11	1	13-00-0090	TAPPO 1/2 (ROSSO) CARICO OLIO CON SFIATO MCH13/16	OIL FILLING CAP 1/2 (RED) MCH13/16 WITH BREATHER	
2.12	1	13-00-0065A	RACCORDO SUPERIORE TUBO CARICO OLIO MCH13/16	HIGHER OIL CHARGE TUBE FITTING MCH13/16	
2.13	1	13-00-0065	RACCORDO INFERIORE TUBO CARICO OLIO MCH13/16	LOWER OIL CHARGE TUBE FITTING MCH13/16	
2.14	1	13-00-0076	TUBO CARICO OLIO MCH13-16	OIL FILLING TUBE MCH13/16	
2.15	2	13-00-0018	DADO ZINCATO M8 MEDIO	MIDDLE NUT M8 ZINC.	
2.16	1	RON/8	RONDELLA PIANA ZINCATA M8	M8 WASHER FLAT ZINC	
2.17	1	13-00-0061	O-RING 3137 NBR70 (34.60x2.62) CARICO OLIO	O-RING TUBE OIL CHARGE NBR 70 (34,6X2,62)	
3.1	2	13-00-0021	RACCORDO 90° 1/8 NPT	FITTING 90° 1/8 NPT	
3.2	1	13-00-0064	TUBO CONTROLLO LIVELLO OLIO	OIL LEVEL CHECK TUBE MCH13/16	
3.3	1	13-00-0139	TAPPO 1/8 NPT CIECO	PLUG 1/8 NPT	
3.4	1	13-04-0333	RACCORDO INFER. LIVELLO OLIO	LOWER OIL LEVEL FITTING	
3.5	2	FASC/2/10/18	FASCETTA STRING. 2 D10/18	CLAMP 2 D10/18	
3.6	2	13-00-0052A	RACCORDO G1/2 M. - PORTAGOMMA	FITTING G1/2 M.	
3.7	4	FASC/3B/17/29	FASCETTA STRING. 3B D.17/29	CLAMP 3B D.17/29	
3.8	2	13-00-0063/N	TAPPO SCARICO OLIO CON BECCUCCIO	DISCHARGE OIL PLUG FITTING	
3.9	1	13-04-0339	RACCORDO A T 1/2" F	T FITTING 1/2" F	
3.10	1	RON/8	RONDELLA PIANA ZINCATA M8	M8 WASHER FLAT ZINC	
3.11	2	13-04-0218	RACCORDO SUP. LIVELLO OLIO	OIL LEVEL UPPER FITTING	
3.12	4	GUAR-LIV-OLIO	GUARNIZIONE LIVEL. OLIO 10x20x3	10x20x3 OIL LEVEL GASKET	
3.13	2	13-00-0063/NPT	TAPPO OIL ALERT 1/2-14 NPT - MCH-13/16	OIL ALERT 1/2-14 NPT - MCH-13/16 PLUG	
3.14	1	13-04-0229	LIVELLO OLIO SLV/127/M10	OIL LEVEL SLV/127/M10	
3.15	1	13-00-0061	O-RING 3137 NBR70 (34.60x2.62) CARICO OLIO	O-RING TUBE OIL CHARGE NBR 70 (34,6X2,62)	
3.16	1	13-04-0230	RUBINETTO SCARICO OLIO MCH13/16	OIL DRAIN VALVE MCH13/16	
3.17	1	13-00-0053	GUARNIZIONE RAME 21,5x28x1,5	COPPER GASKET 21,5x28x1,5	
3.18	1	13-04-0231	TAPPO 1/2" SCARICO OLIO	OIL DRAIN PLUG 1/2"	
3.19	1	13-04-0342	TUBO SCARICO OLIO MCH13/16 COMPACT	OIL DRAIN TUBE MCH13/16 COMPACT	
3.20	1	13-04-0335	TUBO LIVELLO OLIO	OIL LEVEL TUBE	
3.21	1	13-00-0090	TAPPO 1/2 (ROSSO) CARICO OLIO CON SFIATO MCH13/16	OIL FILLING CAP 1/2 (RED) MCH13/16 WITH BREATHER	
3.22	1	13-00-0065A	RACCORDO SUPERIORE TUBO CARICO OLIO MCH13/16	HIGHER OIL CHARGE TUBE FITTING MCH13/16	
3.23	1	13-00-0065	RACCORDO INFERIORE TUBO CARICO OLIO MCH13/16	LOWER OIL CHARGE TUBE FITTING MCH13/16	
3.24	1	13-00-0076	TUBO CARICO OLIO MCH13-16	OIL FILLING TUBE MCH13/16	
3.25	2	13-00-0018	DADO ZINCATO M8 MEDIO	MIDDLE NUT M8 ZINC.	

LIVELLO OLIO - OIL LEVEL

Mod: Standard - Tech - MiniTech - Compact - Compact M - Compact Evo - MiniSilent - SuperSilent Evo

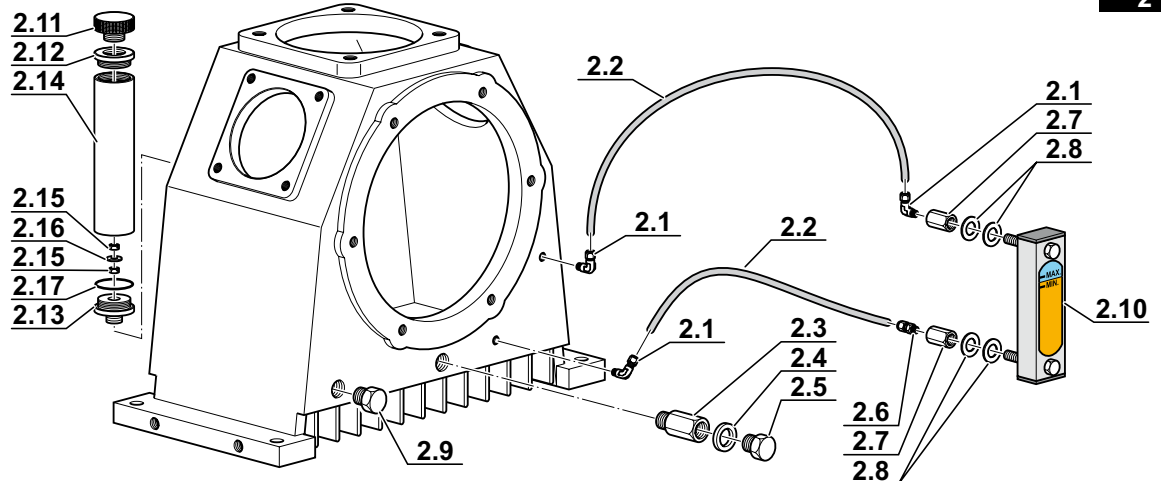
Model: Standard - Tech

1



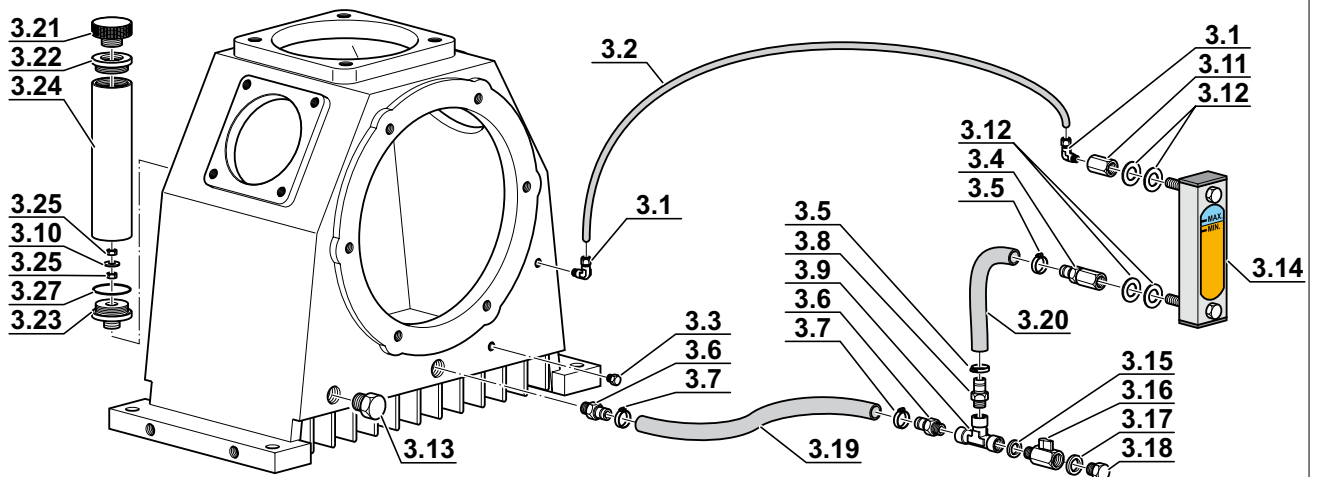
Model: MiniTech

2



Model: Compact - Compact M - Compact Evo - MiniSilent - SuperSilent Evo - Tropical

3



LIVELLO OLIO - OIL LEVEL

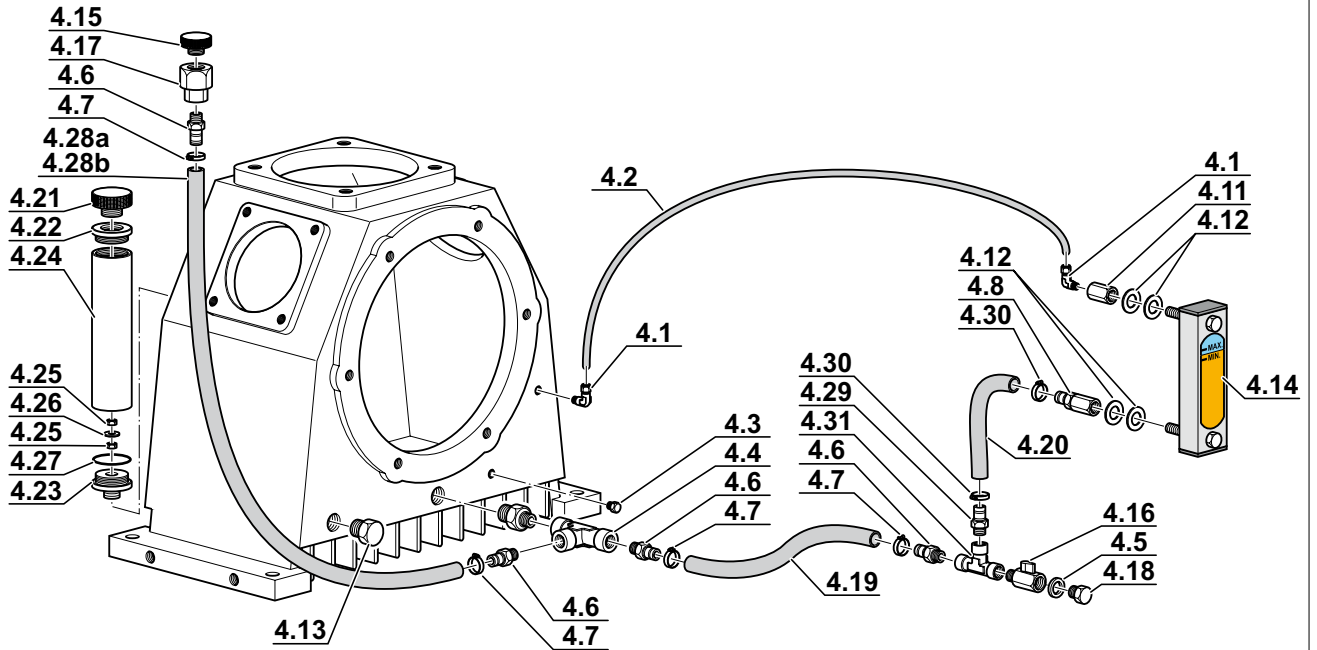
Mod: MCH26-32/ET Compact - Tropical - Tropical Plus

Rif. Pos.	Q.tà Q.ty	Codice Code	Descrizione	Description
4.1	2	13-00-0021	RACCORDO 90° 1/8 NPT	FITTING 90° 1/8 NPT
4.2	1	13-00-0064	TUBO CONTROLLO LIVELLO OLIO	OIL LEVEL CHECK TUBE MCH13/16
4.3	1	13-00-0139	TAPPO 1/8 NPT CIECO	PLUG 1/8 NPT
4.4	1	RACC20031/2	RACCORDO A T FxFxF 1/2	T FITTING FxFxF 1/2
4.5	1	13-00-0053	GUARNIZIONE RAME 21,5x28x1,5	COPPER GASKET 21,5x28x1,5
4.6	2	13-00-0052A	RACCORDO G1/2 M. - PORTAGOMMA	FITTING G1/2 M.
4.7	4	FASC/3B/17/29	FASCETTA STRING. 3B D.17/29	CLAMP 3B D.17/29
4.8	1	13-04-0333	RACCORDO INFER. LIVELLO OLIO	LOWER OIL LEVEL FITTING
4.9	1	13-04-0339	RACCORDO A T 1/2" F	T FITTING 1/2" F
4.10	2	13-04-0338	RIDUZIONE 1/4 F - 1/2 M	REDUCTION 1/4 F - 1/2 M
4.11	2	13-04-0218	RACCORDO SUP. LIVELLO OLIO	OIL LEVEL UPPER FITTING
4.12	4	GUAR-LIV-OLIO	GUARNIZIONE LIVEL. OLIO 10x20x3	10x20x3 OIL LEVEL GASKET
4.13	2	13-00-0063/NPT	TAPPO OIL ALERT 1/2-14 NPT - MCH-13/16	OIL ALERT 1/2-14 NPT - MCH-13/16 PLUG
4.14	1	13-04-0229	LIVELLO OLIO SLV/127/M10	OIL LEVEL SLV/127/M10
4.15	1	TAPPO/OLIO/3/4	TAPPO OLIO 3/4 NERO	OIL PLUG 3/4 BLACK
4.16	1	13-04-0230	RUBINETTO SCARICO OLIO MCH13/16	OIL DRAIN VALVE MCH13/16
4.17	1	RACC/3/4-1/2	RACCORDO F 3/4 F 1/2 X TAPPO	PLUG F 3/4 F 1/2 X FITTING
4.18	1	13-04-0231	TAPPO 1/2" SCARICO OLIO	OIL DRAIN PLUG 1/2"
4.19	1	13-04-0342	TUBO SCARICO OLIO MCH13/16 COMPACT	OIL DRAIN TUBE MCH13/16 COMPACT
4.20	1	13-04-0335	TUBO LIVELLO OLIO	OIL LEVEL TUBE
4.21	1	13-00-0090	TAPPO 1/2 (ROSSO) CARICO OLIO CON SFIATO MCH13/16	OIL FILLING CAP 1/2 (RED) MCH13/16 WITH BREATHER
4.22	1	13-00-0065A	RACCORDO SUPERIORE TUBO CARICO OLIO MCH13/16	HIGHER OIL CHARGE TUBE FITTING MCH13/16
4.23	1	13-00-0065	RACCORDO INFERIORE TUBO CARICO OLIO MCH13/16	LOWER OIL CHARGE TUBE FITTING MCH13/16
4.24	1	13-00-0076	TUBO CARICO OLIO MCH13-16	OIL FILLING TUBE MCH13/16
4.25	2	13-00-0018	DADO ZINCATO M8 MEDIO	MIDDLE NUT M8 ZINC.
4.26	1	RON/8	RONDELLA PIANA ZINCATA M8	M8 WASHER FLAT ZINC
4.27	1	13-00-0061	O-RING 3137 NBR70 (34.60x2.62) CARICO OLIO	O-RING TUBE OIL CHARGE NBR 70 (34,6X2,62)
4.28a	1	T-SP-16X23-750	TUBO SPIRALATO PER ALIMENTI 16X23 L=750	FOOD SPIRAL HOSE 16X23 L=750
4.28b	1	T-SP-16X23-1400	TUBO SPIRALATO PER ALIMENTI 16X23 L=1400	FOOD SPIRAL HOSE 16X23 L=1400
04.29	1	13-00-0063/N	TAPPO SCARICO OLIO CON BECCUCCIO	DISCHARGE OIL PLUG FITTING
04.30	2	FASC/2/10/18	FASCETTA STRING. 2 D10/18	CLAMP 2 D10/18
5.1	1	13-00-0090	TAPPO 1/2 (ROSSO) CARICO OLIO CON SFIATO MCH13/16	OIL FILLING CAP 1/2 (RED) MCH13/16 WITH BREATHER
5.2	1	13-00-0065A	RACCORDO SUPERIORE TUBO CARICO OLIO MCH13/16	HIGHER OIL CHARGE TUBE FITTING MCH13/16
5.3	1	13-00-0065	RACCORDO INFERIORE TUBO CARICO OLIO MCH13/16	LOWER OIL CHARGE TUBE FITTING MCH13/16
5.4	1	13-00-0076	TUBO CARICO OLIO MCH13-16	OIL FILLING TUBE MCH13/16
5.5	1	13-00-0018	DADO ZINCATO M8 MEDIO	MIDDLE NUT M8 ZINC.
5.6	1	RON/8	RONDELLA PIANA ZINCATA M8	M8 WASHER FLAT ZINC
5.7	1	13-00-0061	O-RING 3137 NBR70 (34.60x2.62) CARICO OLIO	O-RING TUBE OIL CHARGE NBR 70 (34,6X2,62)
5.8	1	13-00-0021	RACCORDO 90° 1/8 NPT	FITTING 90° 1/8 NPT
5.9	1	13-00-0064	TUBO CONTROLLO LIVELLO OLIO	OIL LEVEL CHECK TUBE MCH13/16
5.10	1	13-00-0144	RACCORDO 90° 1/8 - TUBO 6mm	FITTING 90° 1/8 - TUBO 6mm
5.11	1	13-00-0035	RACCORDO DIRITTO 1/4 TUBO 8mm	STRAIGHT FITTING 1/4 TUBE 8MM
5.12	1	13-03-0025/TR	TUBO RAFFR. MCH13/16 TROPICAL PLUS 6X1	COOLING TUBE MCH13/16 TROPICAL PLUS 6X1
5.13	1	13-00-0025E	RACCORDO 1/4 G - TUBO 6mm DIRITTO ERMETO	FITTING 1/4 G - TUBO 6mm ERMETO
5.14	1	VITE0512Z	VITE T.C.E. ZINC. 5X12	SCREW T.C.E. ZINC. 5X12
5.15	1	36-06-004	TAPPO FILTRO OLIO MCH36	MCH-36 OIL FILTER PLUG
5.16	1	13-00-0061	O-RING 3137 NBR70 (34.60x2.62)	O-RING 3137 NBR70 (34.60x2.62)
5.17	1	36-06-006	FILTRO OLIO MCH36	OIL FILTER MCH36
5.18	1	36-06-007	CARTER FILTRO OLIO MCH36	OIL FILTER CARTER
5.19	1	RACC25301/41/8	RACCORDO 2530 1/4 1/8	FITTING 2530 1/4 1/8
5.20	1	36-06-009	POMPA OLIO MCH36	OIL PUMP MCH36
5.21	4	36-06-010	VITE TCEIZN M5x50-8.8 MCH36	TCEIZN M5x50-8.8 MCH36 SCREW
5.22	1	36-06-019/T	GIUNTO POMPA OLIO MCH13/16 PER TROPICAL	OIL PUMP COUPLING MCH13/16 TROPICAL
5.23	1	SPINA/3,5x26	SPINA ELASTICA 3,5x26	PIN 3,5x26
5.24	1	RIDUZIONE/E2151004	RIDUZIONE MASCHIO FEMMINA CIL. E2151004 1/2 1/4	M-F 1/2 1/4 REDUCTION
5.25	1	13-03-0024/TR	TUBO RAFFR. MCH13/16 TROPICAL PLUS 8X1	COOLING PIPE MCH13/16 TROPICAL PLUS 8X1
5.26	1	13-00-0063/NPT	TAPPO OIL ALERT 1/2-14 NPT - MCH-13/16	OIL ALERT 1/2-14 NPT - MCH-13/16 PLUG
5.27	1	RACC20701/2	RACCORDO A T FxFXM 1/2	T FITTING FxFXM 1/2
5.28	1	13-04-0231	TAPPO 1/2" SCARICO OLIO	OIL DRAIN PLUG 1/2"
5.29	1	T-RLS-6X4-250	TUBO RILSAN 6x4 250mm	RILSAN HOSE 6X4 250mm
6	1	SC000334	SENSORE LIVELLO OLIO	OIL LEVEL SWITCH

LIVELLO OLIO - OIL LEVEL
Mod: MCH26-32/ET Compact - Tropical - Tropical Plus

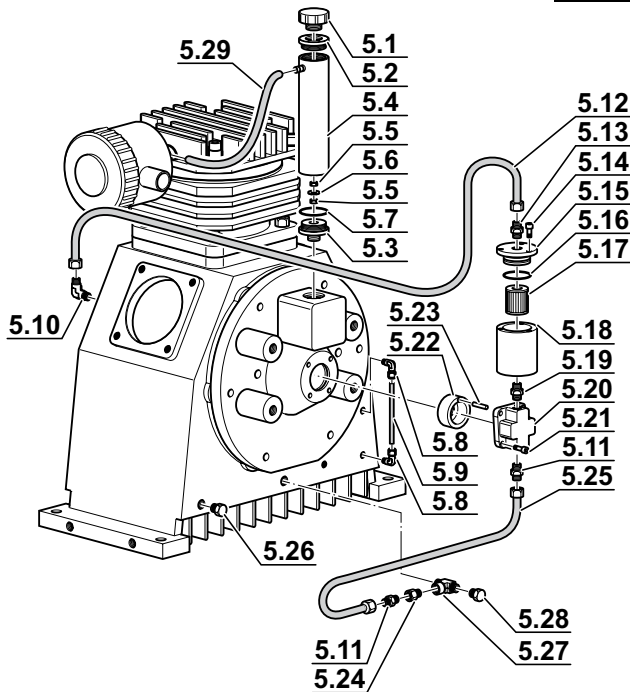
Model: MCH 26-32/ET Compact

4



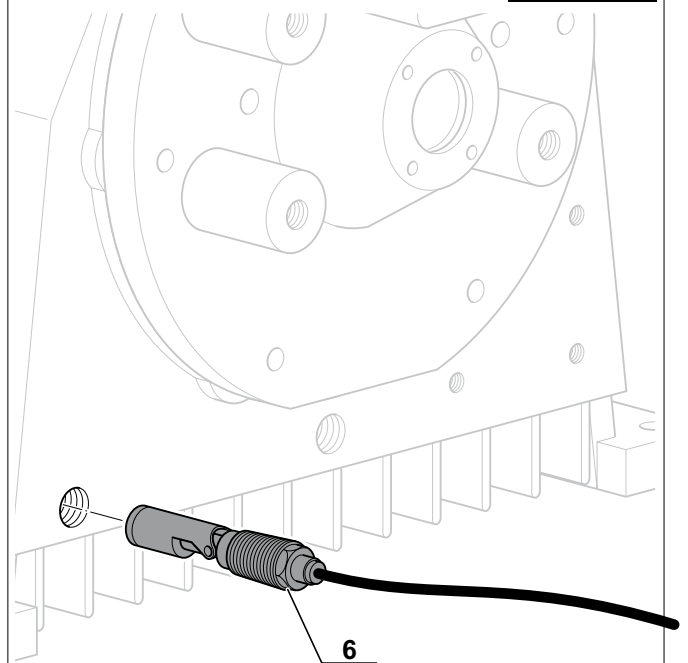
Model: Tropical Plus

5



Oil level switch

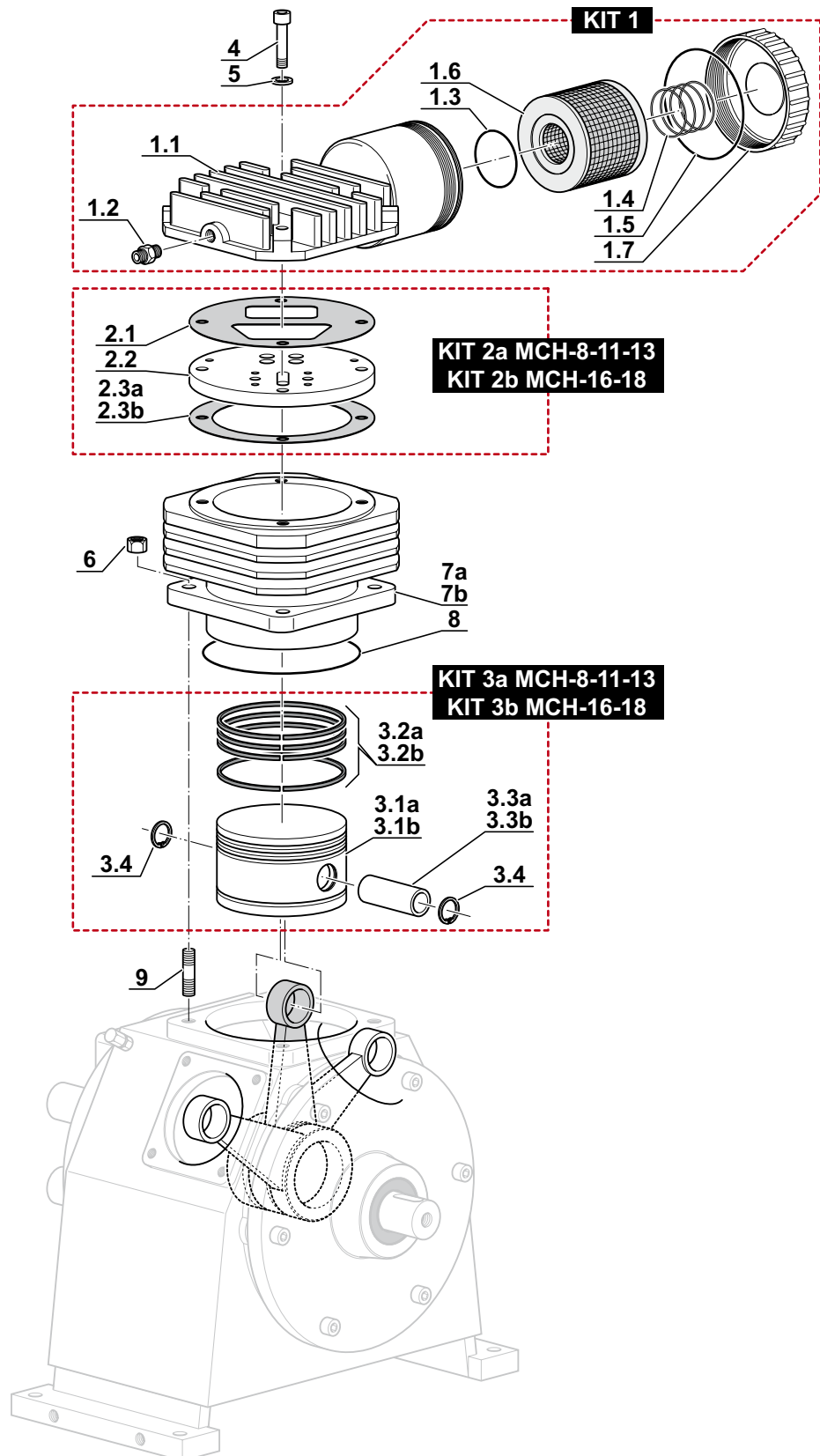
OPTIONAL



1° STADIO - 1st STAGE

	Rif. Pos.	Q.tà Q.ty	Codice Code	Descrizione	Description
	KIT1	1	13-01-0006/R	KIT COPERCHIO TESTA 1° STADIO	1 ST STAGE HEAD COVER MCH13/16 KIT
KIT 1	1.1	1	13-01-0006	COPERCHIO TESTA 1° STADIO	1 ST STAGE HEAD COVER MCH13/16
	1.2	1	13-00-0012	RACCORDO DIRITTO 1/4 TUBO 10mm	STRAIGHT FITTING 1/4 TUBE 10M.
	1.3	1	13-01-0013	O-RING 3137 NBR70 (34.60x2.62)	O-R SUCTION FILTER 3137 NBR 70 (34,60X2,62)
	1.4	1	13-01-0026	MOLLA FILTRO ASPIRAZIONE	INTAKE FILTER SPRING
	1.5	1	13-01-0011	O-RING 3281 NBR70 COPERC. FILTRO ASPIRAZIONE	INTAKE FILTER COVER O-RING MCH13/16
	1.6	1	SC000370	CART. FILTRO ASP. MCH13/16	SUCTION FILTER CARTRIDGE MCH13/16
	1.7	1	13-01-0041	COPERCHIO FILTRO ASPIRAZIONE	INTAKE FILTER COVER MCH13/16
	KIT2a	1	13-01-0003/R	KIT TESTA 1° STADIO 88mm	1 ST STAGE CYLINDER HEAD 88mm KIT
KIT 2a	2.1	1	13-01-0005	GUARNIZ. 1° ST.(SAGOM) MCH13/16	1 ST STAGE GASKET MCH/13 UPPER HEAD
	2.2	1	13-01-0004	VALVOLA PRIMO STADIO A LAMELLE MCH13/16	1 ST STAGE REED VALVE
	2.3a	1	13-01-0003	GUARNIZIONE 1° STADIO D.88mm	1 ST STAGE 88MM. GASKET UNDER HEAD
	KIT2b	1	16-01-0003/R	KIT TESTA 1° STADIO 97mm	1 ST STAGE CYLINDER HEAD 97mm KIT
KIT 2b	2.1	1	13-01-0005	GUARNIZ. 1° ST.(SAGOM) MCH13/16	1 ST STAGE GASKET MCH/13 UPPER HEAD
	2.2	1	13-01-0004	VALVOLA PRIMO STADIO A LAMELLE MCH13/16	1 ST STAGE REED VALVE
	2.3b	1	16-01-0003	GUARNIZIONE 1° STADIO D.97mm	GASKET FIRST STAGE D. 97mm MCH16 UNDER HEAD
	KIT3a	1	13-01-0117/R	KIT PISTONE 1° MCH-13	1 ST STAGE MCH13 KIT
KIT 3a	3.1a	1	13-01-0117	PISTONE PRIMO STADIO DIAM.88mm	1 ST STAGE 88MM. PISTON MCH13
	3.2a	4	13-01-0118	SERIE FASCE ELASTICHE D.88mm	PISTON RINGS D. 88mm 1 ST STAGE MCH13
	3.3a	1	13-01-0116	SPINOTTO PRIMO STADIO D.88mm	FIRST STAGE 88MM PIN
	3.4	2	13-00-0110	SEEGER/ANELLO ELAST.SPIN.PIST.	SEEGER RETAINING RING
	KIT3b	1	16-01-0117/R	KIT PISTONE MCH-16	1 ST STAGE MCH16 KIT
KIT 3b	3.1b	1	16-01-0117	PISTONE PRIMO STADIO DIAM.95mm	1 ST STAGE PISTON D.95mm MCH16
	3.2b	4	16-01-0118	SERIE FASCE ELASTICHE D.95mm	PISTON RINGS DIA 95mm FIRST STAGE MCH16
	3.3b	1	16-01-0116	SPINOTTO PRIMO STADIO D.95mm	FIRST STAGE 95MM PIN
	3.4	2	13-00-0110	SEEGER/ANELLO ELAST.SPIN.PIST.	SEEGER RETAINING RING
4	4	13-00-0010	VITE 8X60 T.C.E. ZINC. DIN 912	SCREW 8X60 T.C.E. ZINC. DIN 912	
5	4	RON/8	RONDELLA PIANA ZINCATA M8	M8 WASHER FLAT ZINC	
6	4	13-00-0018	DADO ZINCATO M8 MEDIO	MIDDLE NUT M8 ZINC.	
7a	1	13-01-0002	CILINDRO 1° STADIO DIAM 88mm MCH-13	1 ST STAGE CYLINDER 88mm. MCH13	
7b	1	16-01-0002	CILINDRO 1° STADIO DIAM. 95mm MCH-16	1 ST STAGE CYLINDER D.95mm MCH16	
8	1	13-01-0007	O-RING 2400 NBR70(101.34x1.78)	1 ST STAGE CYLINDER O-RING 2400 NBR 70 101,34x1,78	
9	4	13-01-0008	TIRANTE PRIMO STADIO MCH13/16	FIRST STAGE TIE ROD MCH13/16	

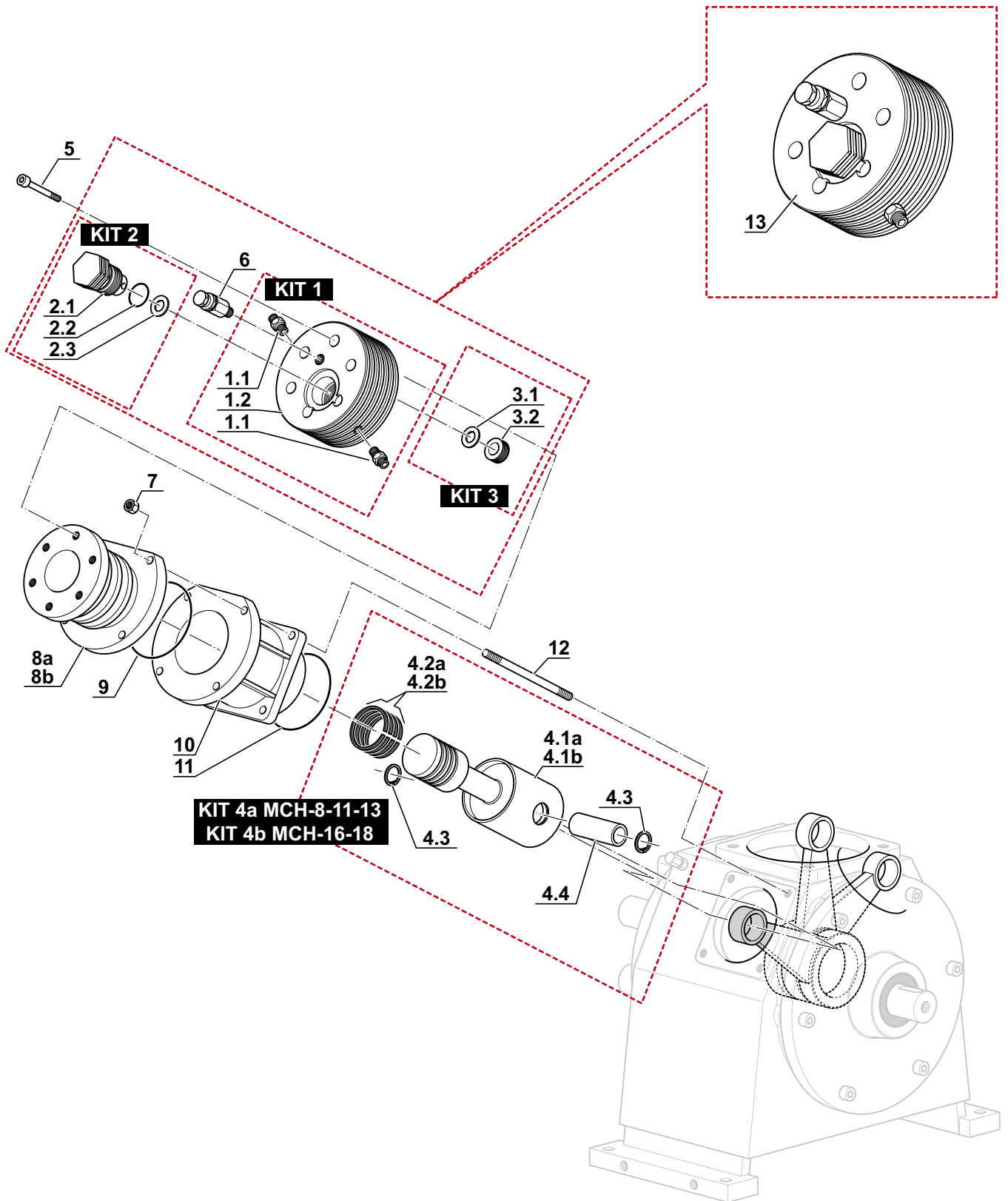
1° STADIO - 1st STAGE



2° STADIO - 2nd STAGE

	Rif. Pos.	Q.tà Q.ty	Codice Code	Descrizione	Description	Prezzo
	KIT1	1	13-02-0046/R	KIT TESTA 2° STADIO MCH13/16	SECOND STAGE HEAD MCH13/16 KIT	
KIT 1	1.1	2	13-02-0045	RACCORDO DIRITTO 1/4 TUBO 10mm	LONG STRAIGHT 1/4 PIPE FITTING 10MM.	
	1.2	1	13-02-0046	TESTA 2° STADIO MCH13/16	SECOND STAGE HEAD MCH13/16	
	KIT2	1	13-02-0049/R	KIT VALV.SCAR.2° STAD. MCH13/16	2ND STAGE PRESSURE VALVE ASS MCH13/16 KIT	
KIT 2	2.1	1	13-02-0049	VALV.SCAR.2° STAD. MCH13/16	2ND STAGE PRESSURE VALVE ASS MCH13/16	
	2.2	1	13-02-0056	O-RING 4087 VITON 70 (21.82x3.53) VALVOLA 2° STADIO	O-R VALVE 2ND STAGE 4087 NBR(21,82X3,53)VITON	
	2.3	1	13-02-0051	GUARNIZIONE RAME 2° STADIO	COPPER GASKET 2ND STAGE 12,5X25,5X1	
	KIT3	1	13-02-0044	VALVOLA ASPIRAZIONE 2°STADIO	2ND STAGE SUCTION VALVE ASSBLY	
KIT 3	3.1	1	13-02-0051	GUARNIZIONE RAME 2° STADIO	COPPER GASKET 2ND STAGE 12,5X25,5X1	
	3.2	1	13-02-0044	VALVOLA ASPIRAZIONE 2°STADIO	2ND STAGE SUCTION VALVE ASSBLY	
	KIT4a	1	13-02-0112/R	KIT PISTONE 2^ STADIO DIAM.60/36mm MCH-13	2ND STAGE PISTON DIA. 60/36mm MCH13 KIT	
KIT 4a	4.1a	1	13-02-0112	PISTONE 2^ STADIO DIAM.60/36mm MCH13	2ND STAGE PISTON DIA. 60/36mm MCH13	
	4.2a	4	13-02-0113	SERIE FASCE ELASTICHE D.36mm	PISTON RING DIA. 36mm 2ND STAGE MCH13	
	4.3	2	13-00-0110	SEEGER/ANELLO ELAST.SPIN.PIST.	SEEGER RETAINING RING	
	4.4	1	13-02-0111	SPINOTTO 3° STADIO D.60,36mm	2ND STAGE PIN	
	KIT4b	1	16-02-0112/R	KIT PISTONE 2^ STADIO DIAM.60/38mm MCH16	2ND STAGE PISTON D.60/38mm MCH16 KIT	
KIT 4b	4.1b	1	16-02-0112	PISTONE 2^ STADIO DIAM.60/38mm MCH16	2ND STAGE PISTON D.60/38mm MCH16	
	4.2b	4	16-02-0113	SERIE FASCE ELASTICHE D.38mm MCH16	2ND STAGE PISTON RINGS D.38mm MCH16	
	4.3	2	13-00-0110	SEEGER/ANELLO ELAST.SPIN.PIST.	SEEGER RETAINING RING	
	4.4	1	13-02-0111	SPINOTTO 3° STADIO D.60,36mm	2ND STAGE PIN	
	5	6	13-00-0048	VITE 8X25 T.C.E. ZINC. DIN 912	SCREW 8X25 T.C.E. ZINC. DIN 912	
	6	1	13-00-0195	VALVOLA SICUREZZA PRIMO STADIO	1ST STAGE SAFETY VALVE	
	7	4	13-00-0018	DADO ZINCATO M8 MEDIO	MIDDLE NUT M8 ZINC.	
	8a	1	13-02-0043	CILINDRO SECONDO STADIO D.36mm MCH13	2ND STAGE 36MM CYLINDER MCH13	
	8b	1	16-02-0043	CILINDRO SECONDO STADIO D.38mm MCH16	2ND STAGE CYLINDER D.38mm MCH16	
	9	1	13-00-0039	O-RING 3237 NBR70 (60.00x2.62) CILINDRO 2°STADIO MCH13	2°ND STAGE CYLINDER O-RING 3237 NBR 70 60x2,62	
	10	1	13-02-0037	CILINDRO GUIDA 2° STAD. D.60mm	2ND STAGE 60MM. GUIDING CYLINDMCH13/16	
	11	1	13-00-0015	O-RING 2275 NBR70 (69.57x1.78)	3°RD STAGE CYLINDER O-RING 2275 NBR 70 69,57x1,78	
	12	4	13-02-0040	TIRANTE SECONDO STADIO MCH13/16	2ND STAGE TIE ROD	
	13	1	13-02-0046/R	TESTA 2° STADIO COMPLETA DI VALVOLE E RACCORDI	2ND STAGE HEAD COMPLETE WITH FITTING AND VALVE	

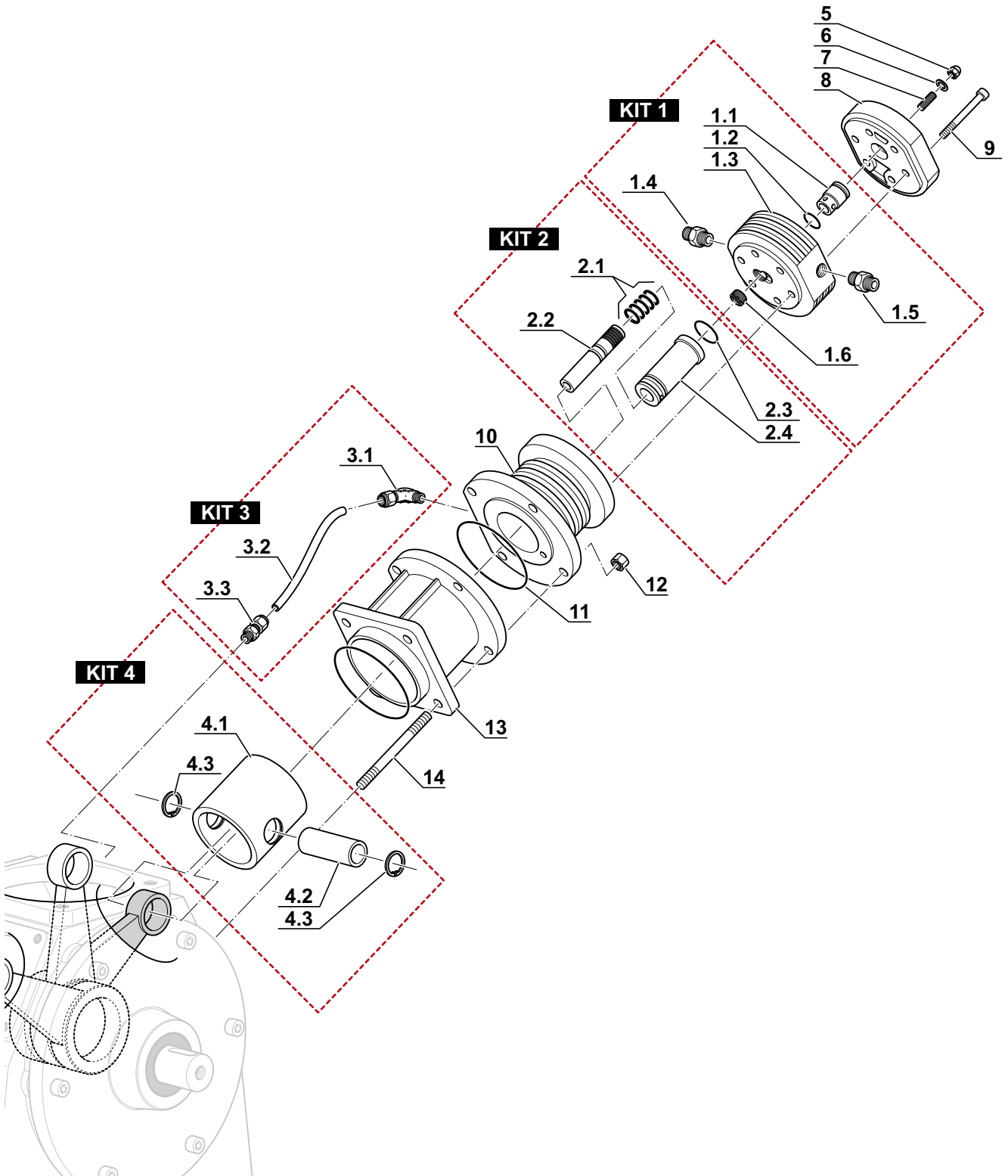
2° STADIO - 2nd STAGE



3° STADIO - 3rd STAGE

	Rif. Pos.	Q.tà Q.ty	Codice Code	Descrizione	Description
	KIT1	1	13-03-0027/R	KIT TESTA 3° STADIO MCH13/16	3RD ST.GE HEAD FOR MCH13/16 KIT
	1.1	1	13-03-0028	VALV.SCAR.3° STAD.MCH13/16	3RD STAGE PRESSURE VALVE ASS MCH13/16
	1.2	1	13-03-0029	O-RING 2062 VITON70(15.60x1.78	VITON O-RING FOR 3RD STAGE EXHAUST VALVE
	1.3	1	13-03-0027	TESTA 3° STADIO MCH13/16	3RD ST.GE HEAD FOR MCH13/16
	1.4	1	13-00-0025	RACCORDO 1/4 NPT -TUBO 6mm DIRITTO 7/16	STRAIGHT FITTING 1/4 TUBE 6MM 7/16
	1.5	1	13-00-0035	RACCORDO DIRITTO 1/4 TUBO 8mm	STRAIGHT FITTING 1/4 TUBE 8MM
	1.6	1	13-03-0020	VALV. ASPIRAZ.3° STAD.MCH13/16	3RD SUCTION VALVE ASSBLY MCH13/16
	KIT2	1	13-03-0126/R	KIT PISTONE 3° STADIO MCH13/16	PISTON 3RD ST.GE 14 MCH13/16 KIT
	2.1	5	13-03-0124	SERIE FASCE ELASTICHE 3°STADIO	3°RD STAGE PISTON RINGS MCH13/16
	2.2	1	13-03-0126	PISTONE 3° STADIO D.14mm	PISTON 3RD ST.GE 14 DIA mm
	2.3	1	13-03-0123	O-RING 2100 VITON70(25.12x1.78) 3° STADIO	O-R 3RD STAGE 2100 (25,12X1,78)70 SH VITON
	2.4	1	13-03-0125	CILINDRO 3° STADIO D.14mm	3RD STAGE CYLINDER DIA 14mm MCH13/16
	KIT3	1	13-00-0019/R	KIT TUBO LUBRIFICAZIONE 3° STADIO MCH13/16	LUBRICATION TUBE 3RD STAGE MCH13/16
	3.1	1	13-00-0021	RACCORDO 90° 1/8 NPT	FITTING 90° 1/8 NPT
	3.2	1	13-00-0019	TUBO VISUALIZZAZIONE LUBRIFIC.	OIL LEVEL INDICATOR
	3.3	1	RACC0818R	RACC. DIAM. 8 1/8 PER TUBO RILS	CONNECTION .DIAM. 8 1/8 FOR RILS TUBE
	KIT4	1	13-03-0120/R	KIT PATTINO GUIDA 3° STADIO MCH13/16	PUSHING PISTON 3RD SATGE MCH13-16
	4.1	1	13-03-0120	PATTINO GUIDA 3^STADIO DIAM.	PUSHING PISTON 60mm. MCH13-16
	4.2	1	13-02-0111	SPINOTTO 3° STADIO D.60,36mm	2ND STAGE PIN
	4.3	2	13-00-0110	SEEGER/ANELLO ELAST.SPIN.PIST.	SEEGER RETAINING RING
	5	1	13-00-0032	DADO INOX CIECO M8 DIN 1587	STAINLESS STEEL 8MM CAP NUT
	6	1	13-03-0033	RONDELLA RAME M8 (8X14X1,5)	8MM COPPER WASHER MCH13/16
	7	1	13-03-0034	GRANO INOX P. 'A' 8x25	8X25 STAINLESS STEEL DOWEL
	8	1	13-03-0030	COPERCHIO TESTA 3° ST.MCH13/16	3RD STAGE HEAD COVER
	9	6	13-00-0031	VITE 8X55 T.C.E. ZINC.	SCREW 8X55 T.C.E. ZINC.
	10	1	13-02-0017	CILINDRO GUIDA TERZO STADIO	3RD STAGE GUIDING CYLINDER MCH13/16
	11	1	13-00-0039	O-RING 3237 NBR70 (60.00x2.62) CILINDRO 2°STADIO MCH13	2°ND STAGE CYLINDER O-RING 3237 NBR 70 60x2,62
	12	4	13-00-0018	DADO ZINCATO M8 MEDIO	MIDDLE NUT M8 ZINC.
	13	1	13-03-0190	CILINDRO INFER. PATTINO GUIDA 60MM TERZO STADIO	LOWER 3RD STAGE 60MM. GUIDING CYLINDER
	14	4	13-03-0016	TIRANTE TERZO STADIO MCH13	3RD STAGE TIE ROD

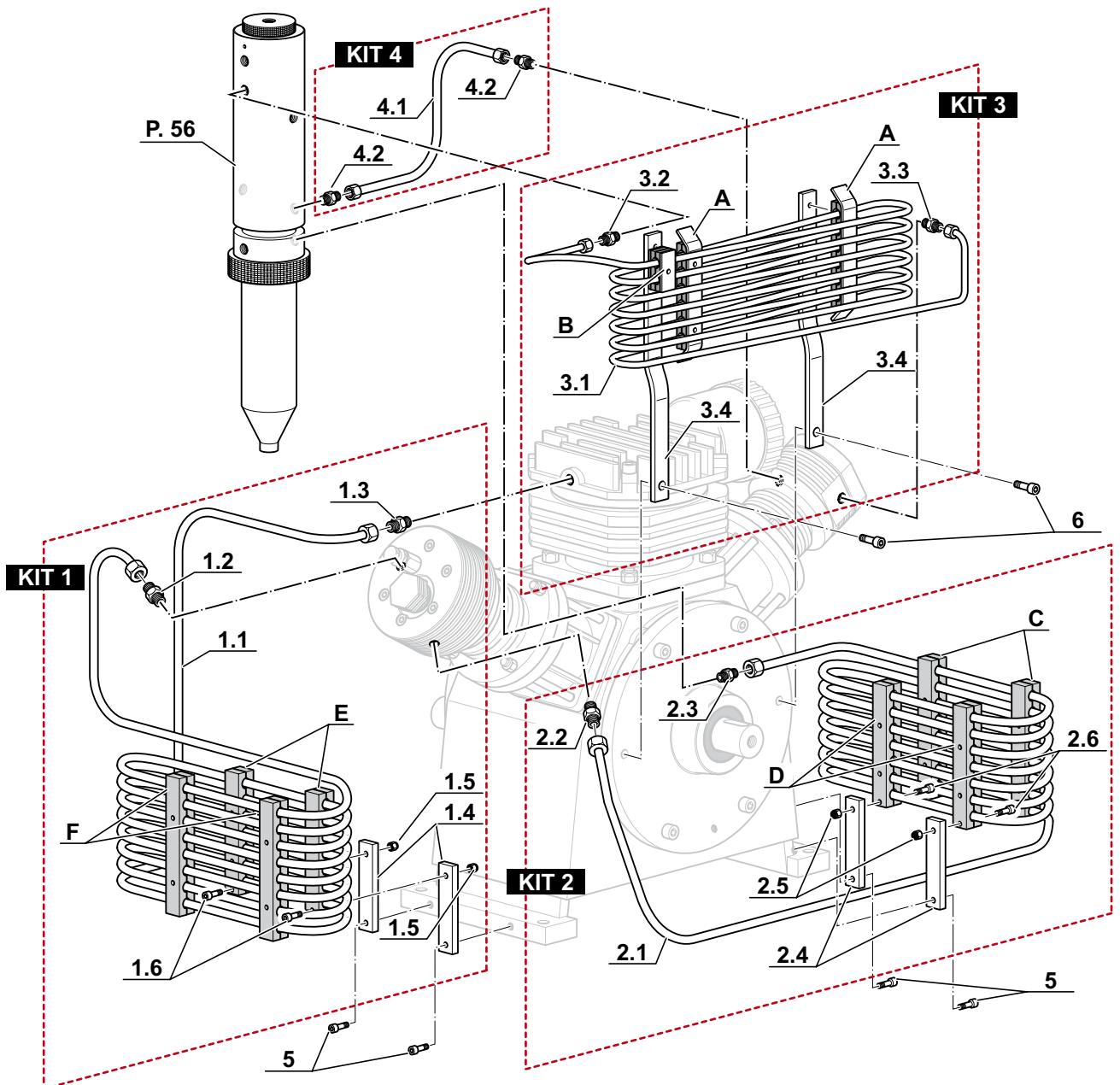
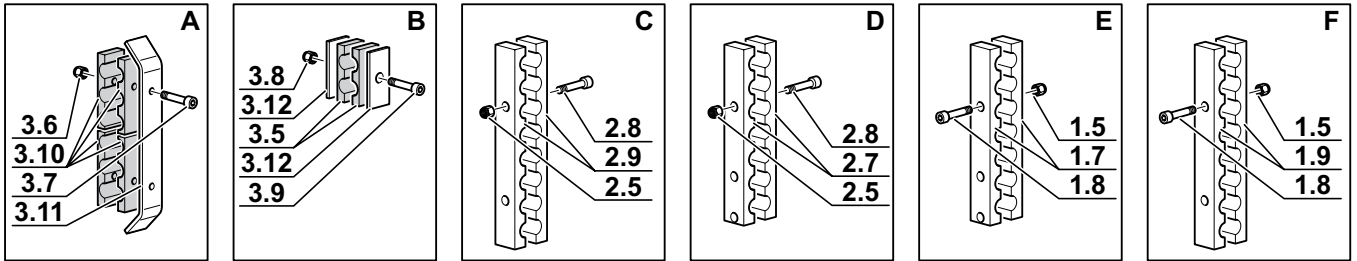
3° STADIO - 3rd STAGE



CIRCUITO DI PRESSIONE - PRESSURE CIRCUIT

	Rif. Pos.	Q.tà Q.ty	Codice Code	Descrizione	Description
	KIT1	1	13-00-0085/R	KIT TUBO RAFFREDDAMENTO 10MM 1°-2°ST.	1ST-2ND STAGE 10MM COOLING PIPE KIT
	1.1	1	13-00-0085	TUBO RAFFRED. 10mm 1°-2°ST.	1ST-2ND STAGE 10MM COOLING PIPE
	1.2	1	13-02-0045E	Raccordo Dritto 1/4 G - Tubo 10mm Testa 2°Std MCH 13/16	STRAIGHT FITTING 1/4 G - TUBE 10mm HEAD 2°Std MCH 13/16
	1.3	1	13-00-0178E	RACCORDO TUBO 10mm 1/4 NPT	FITTING TUBE 10mm 1/4 NPT
	1.4	2	13-00-0083	STAFFA PORTATUBO ZINC. 75X15mm	PIPE HOLDING BRACKET 75X15MM. MCH13/16
	1.5	10	13-00-0137	DADO ZINCATO AUTOBLOC. M6 ALTO	SELF LOCKING NUT M6 HIGH
	1.6	4	13-00-0041	VITE T.C.E. ZINC. 6x25 DIN 912	SCREW T.C.E. ZINC. 6x25 DIN 912
	1.7	4	13-00-0186	SEMISTAFFA FERMATUBO D.10 3 FORI 7 SEDI	3 HOLE PIPE-HOLDING BRACKET
	1.8	8	13-00-0087	VITE T.C.E. ZINC. 6x30 DIN 912	SCREW T.C.E. ZINC. 6x30 DIN 912
	1.9	4	13-00-0197	SEMISTAFFA FERMATUBO D.10 2 FORI 8 SEDI	2 HOLE PIPE-HOLDING BRACKET
	KIT2	1	13-00-0089/R	KIT TUBO RAFFREDDAMENTO 10MM 2°-3°ST.	2ND-1ST STAGE 10MM COOLING PIPE KIT
	2.1	1	13-00-0089	TUBO RAFFR. 10mm 2°/3°ST. (F)	2ND-3RD STAGE 10MM COOLING PIPE KIT
	2.2	1	13-02-0045E	Raccordo Dritto 1/4 G - Tubo 10mm Testa 2°Std MCH 13/16	STRAIGHT FITTING 1/4 G - TUBE 10mm HEAD 2°Std MCH 13/16
	2.3	1	13-00-0026E	RACCORDO 1/4 G -TUBO 10mm DIRITTO ERMETO	STRAIGHT FITTING 1/4 G -TUBO 10mm ERMETO
	2.4	2	13-00-0083	STAFFA PORTATUBO ZINC. 75X15mm	PIPE HOLDING BRACKET 75X15MM. MCH13/16
	2.5	10	13-00-0137	DADO ZINCATO AUTOBLOC. M6 ALTO	SELF LOCKING NUT M6 HIGH
	2.6	4	13-00-0041	VITE T.C.E. ZINC. 6x25 DIN 912	SCREW T.C.E. ZINC. 6x25 DIN 912
	2.7	4	13-00-0186	SEMISTAFFA FERMATUBO D.10 3 FORI 7 SEDI	3 HOLE PIPE-HOLDING BRACKET
	2.8	8	13-00-0087	VITE T.C.E. ZINC. 6x30 DIN 912	SCREW T.C.E. ZINC. 6x30 DIN 912
	2.9	4	13-00-0197	SEMISTAFFA FERMATUBO D.10 2 FORI 8 SEDI	2 HOLE PIPE-HOLDING BRACKET
	KIT3	1	13-03-0023/N/R	KIT TUBO RAFFREDAMENTO 6MM 3°-SEPARATORE	3RD-SEPARATOR 6MM COOLING PIPE KIT
	3.1	1	13-03-0023/N	TUBO RAFFREDAM.TO DIAM. 6 (C)	6MM COOLING PIPE 3RD-SEPARATOR
	3.2	1	13-00-0174E	Racc. 1/8 NPT Tubo 6 mm	STRAIGHT 1/8 PIPE FITTING 6
	3.3	1	13-00-0025E	RACCORDO 1/4 G -TUBO 6mm DIRITTO ERMETO	FITTING 1/4 G -TUBO 6mm ERMETO
	3.4	2	13-00-0133	STAFFA PORTATUBO 6 mm	TUBE CLAMP 6 MM SEPARATOR-4TH STAGE
	3.5	2	13-00-0134/1	GOMM ANTIVIBR 2 FORI TUBO DA 6	ANTI VIBRATION BLOCK TUBE 6 2 HOLE
	3.6	4	DADM6AUTBAS	DADO ZINCATO AUTOBL. M6 BASSO	SELF LOCKING NUT LOW M6 DIN 985
	3.7	4	13-00-0087	VITE T.C.E. ZINC. 6x30 DIN 912	SCREW T.C.E. ZINC. 6x30 DIN 912
	3.8	1	DA05	DADO ZINC. AUTOB. M5 BASSO	SELF LOCKING NUT ZINC. M5 LOW
	3.9	1	VITE0525Z	VITE T.C.E. ZINC. 5x25 DIN912	SCREW T.C.E. ZINC. 5x25 DIN912
	3.10	8	13-00-0134	GOMM. ANTIVIBR. PORTATUB 3 FOR	ANTI VIBRATION BLOCK TUBE 6 3 HOLE
	3.11	2	13-00-0136	STAFFA DOPPIA PORTATUBO 6mm	DOUBLE 6MM. PIPE-HOLDING BRACKET MCH13/16
	3.12	2	13-00-0135	STAFFA SINGOLA PORTATUBO 3mm	SINGLE 6MM. PIPE-HOLDING BRACKET MCH13/16
	KIT4	1	13-00-0036/R	KIT TUBO RAFFREDAMENTO 8MM SEPARATORE-3°	SEPARATOR-3RD 8MM COOLING PIPE KIT
	4.1	1	13-00-0036	TUBO 8mm COLLEG.SEP/3° ST.(D)	TUBE 8MM. 3RD STAGE/SEPARATOR(D) MCH13/16
	4.2	2	13-00-0175E	Racc. 1/4 G Tubo 8 mm	1/4 G TUBE 8mm FITTING
	5	4	13-00-0084	VITE 6X15 T.C.E. ZINC.	SCREW 6X15 T.C.E. ZINC.
	6	2	13-00-0075	VITE T.C.E. ZINCATA 8x30	SCREW T.C.E. ZINCATA 8x30

CIRCUITO DI PRESSIONE - PRESSURE CIRCUIT

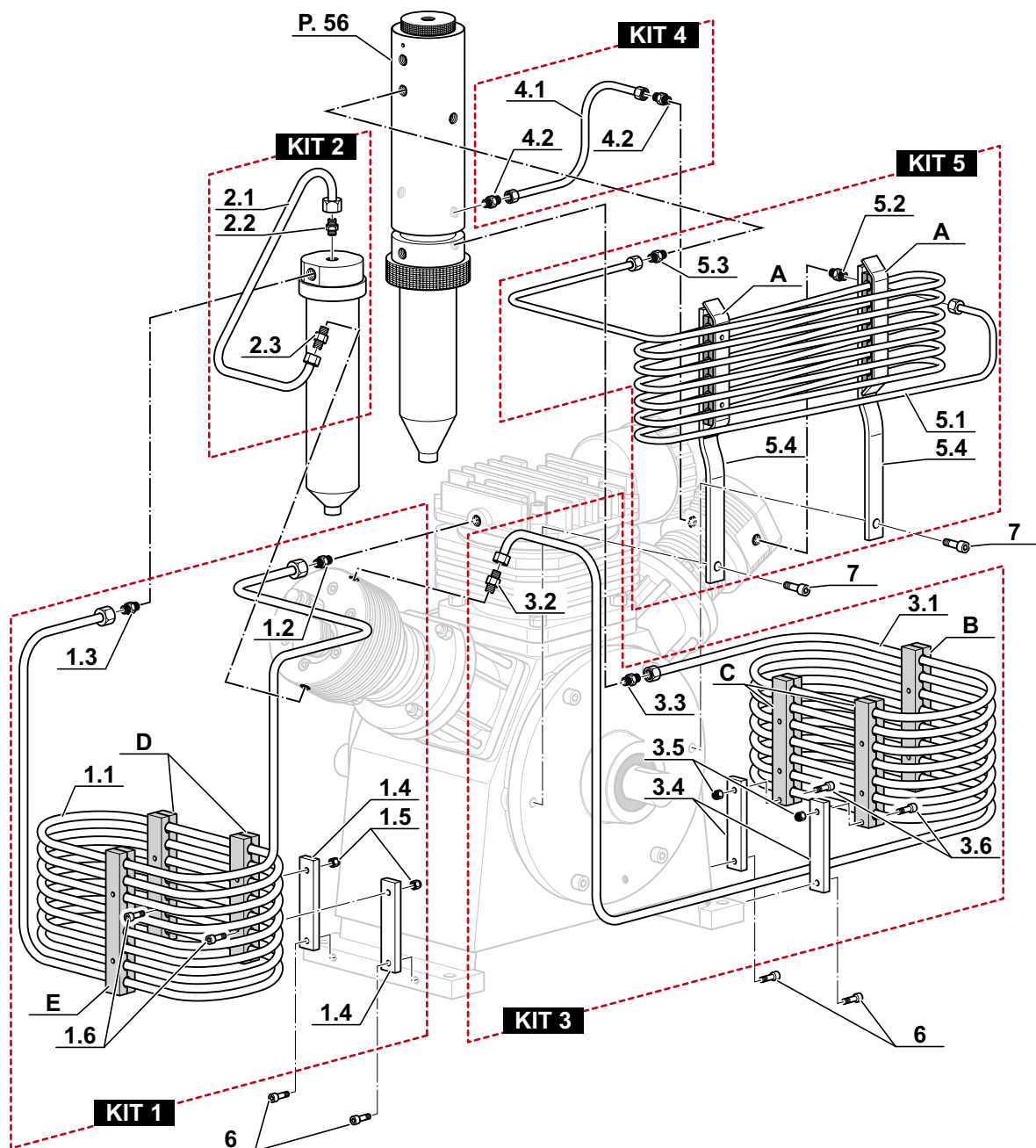
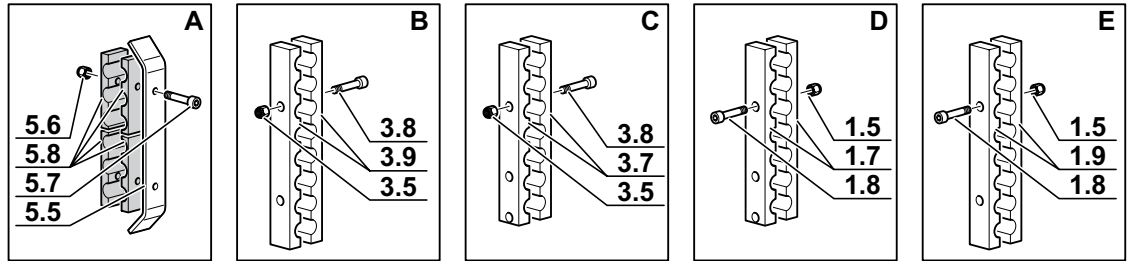


CIRCUITO DI PRESSIONE - PRESSURE CIRCUIT

Mod: Tropical - Tropical Plus

	Rif. Pos.	Q.tà Q.ty	Codice Code	Descrizione	Description
	KIT1	1	13-01-0085/TR/R	KIT TUBO RAFFR. 1°-SEP. 12MM MCH13/16 TR-TRPL	COOLING PIPE 12MM 1ST-SEPARATOR MCH13/16 TR-TRPL KIT
	1.1	1	13-01-0085/TR	TUBO RAFFR. MCH13 TROPICAL/TROPICAL PLUS DIAM. 12 (C)	COOLING PIPE 12MM 1ST-SEPARATOR MCH13/16 TROPICAL-TROPICALPL
	1.2	1	13-02-0047E	Raccordo Dritto 1/4 G - Tubo 12mm Testa 2°Std MCH 13/16	STRAIGHT FITTING 1/4G TUBE 12MM
	1.3	1	RACCE212112LG1/2	RACCORDO E212-112L G1/2" CON GUARNIZIONE LARGA	FITTING E212-112L G1/2" WITH GASKET
	1.4	2	13-00-0083	STAFFA PORTATUBO ZINC. 75X15mm	PIPE HOLDING BRACKET 75X15MM. MCH13/16
	1.5	8	13-00-0137	DADO ZINCATO AUTOBLOC. M6 ALTO	SELF LOCKING NUT M6 HIGH
	1.6	2	13-00-0041	VITE T.C.E. ZINC. 6x25 DIN 912	SCREW T.C.E. ZINC. 6x25 DIN 912
	1.7	4	13-00-0197/TR	SEMISTAFFA FERMATUBO D.12 2 FORI 8 SEDI	2 HOLE PIPE-HOLDING BRACKET
	1.8	6	13-00-0087	VITE T.C.E. ZINC. 6x30 DIN 912	SCREW T.C.E. ZINC. 6x30 DIN 912
	1.9	2	13-00-0197/TR	SEMISTAFFA FERMATUBO D.12 2 FORI 8 SEDI	2 HOLE PIPE-HOLDING BRACKET
	KIT2	1	13-02-0086/TR/R	KIT TUBO RAFFR SEP-2° 12MM MCH13/16 TR-TRPL	COOLING PIPE 12MM SEPARATOR-2ND MCH13/16 TR-TRPL KIT
	2.1	1	13-02-0086/TR	TUBO RAFFR. DIAM. 12 MCH13/16 TROPICAL/TROPICAL PLUS (B)	COOLING PIPE 12MM SEPARATOR-2ND MCH13/16 TROPICAL-TROPICALPL
	2.2	1	RACC/E212112L38	RACCORDO E212-112L G3/8"	FITTING E212-112L G3/8"
	2.3	1	13-02-0047E	Raccordo Dritto 1/4 G - Tubo 12mm Testa 2°Std MCH 13/16	STRAIGHT FITTING 1/4G TUBE 12MM
	KIT3	1	13-00-0089/TR/R	KIT TUBO RAFFR. 2°-SEP. 12MM MCH13/16 TR-TRPL	COOLING PIPE 12MM 2ND-SEPARATOR MCH13/16 TR-TRPL KIT
	3.1	1	13-00-0089/TR	TUBO RAFFR. 12mm MCH13/16 TROPICAL/TROPICAL PLUS (D)	COOLING PIPE 12MM 2ND-SEPARATOR MCH13/16 TR-TR.PL
	3.2	1	13-02-0047E	Raccordo Dritto 1/4 G - Tubo 12mm Testa 2°Std MCH 13/16	STRAIGHT FITTING 1/4G TUBE 12MM
	3.3	1	RACC/E212112L14	RACCORDO E212-112L G1/4"	FITTING E212-112L G1/4" TUBE12
	3.4	2	13-00-0083	STAFFA PORTATUBO ZINC. 75X15mm	PIPE HOLDING BRACKET 75X15MM. MCH13/16
	3.5	8	13-00-0137	DADO ZINCATO AUTOBLOC. M6 ALTO	SELF LOCKING NUT M6 HIGH
	3.6	2	13-00-0041	VITE T.C.E. ZINC. 6x25 DIN 912	SCREW T.C.E. ZINC. 6x25 DIN 912
	3.7	4	13-00-0197/TR	SEMISTAFFA FERMATUBO D.12 2 FORI 8 SEDI	2 HOLE PIPE-HOLDING BRACKET
	3.8	4	13-00-0087	VITE T.C.E. ZINC. 6x30 DIN 912	SCREW T.C.E. ZINC. 6x30 DIN 912
	3.9	2	13-00-0197/TR	SEMISTAFFA FERMATUBO D.12 2 FORI 8 SEDI	2 HOLE PIPE-HOLDING BRACKET
	KIT4	1	13-00-0036/N/R	KIT TUBO 8mm COLLEG.SEP/3° ST.(D)	TUBE 8mm SEP/3° ST.(D) KIT
	4.1	1	13-00-0036/N	TUBO 8mm COLLEG.SEP/3° ST.(D)	TUBE 8mm SEP/3° ST.(D)
	4.2	2	13-00-0175E	Racc. 1/4 G Tubo 8 mm	1/4 G TUBE 8mm FITTING
	KIT5	1	13-03-0025/TR/R	KIT TUBO RAFFR. MCH13/16 TROPICAL PLUS 6X1	COOLING TUBE MCH13/16 TROPICAL PLUS 6X1 KIT
	5.1	1	13-03-0025/TR	TUBO RAFFR. MCH13/16 TROPICAL PLUS 6X1	COOLING TUBE MCH13/16 TROPICAL PLUS 6X1
	5.2	1	RACC/E212-106LG	RACCORDO E212-106L G1/4"	FITTING E212-106L G1/4"
	5.3	1	RACC/E231506L18	RACCORDO E231-506L 1/8" NPT	1/8" NPT - TUBE6 FITTING
	5.4	2	13-00-0133/TR	STAFFA PORTATUBO 6 mm	PIPE HOLDING BRACKET 6mm MCH13/16 TROPICAL
	5.5	2	13-00-0136	STAFFA DOPPIA PORTATUBO 6mm	DOUBLE 6MM. PIPE-HOLDING BRACKET MCH13/16
	5.6	4	DADM6AUTBAS	DADO ZINCATO AUTOBL. M6 BASSO	SELF LOCKING NUT LOW M6 DIN 985
	5.7	4	13-00-0087	VITE T.C.E. ZINC. 6x30 DIN 912	SCREW T.C.E. ZINC. 6x30 DIN 912
	5.8	8	13-00-0134	GOMM. ANTIVIBR. PORTATUB 3 FOR	ANTI VIBRATION BLOCK TUBE6 3 HOLE
	6	4	13-00-0084	VITE 6X15 T.C.E. ZINC.	SCREW 6X15 T.C.E. ZINC.
	7	2	13-00-0075	VITE T.C.E. ZINCATA 8x30	SCREW T.C.E. ZINCATA 8x30

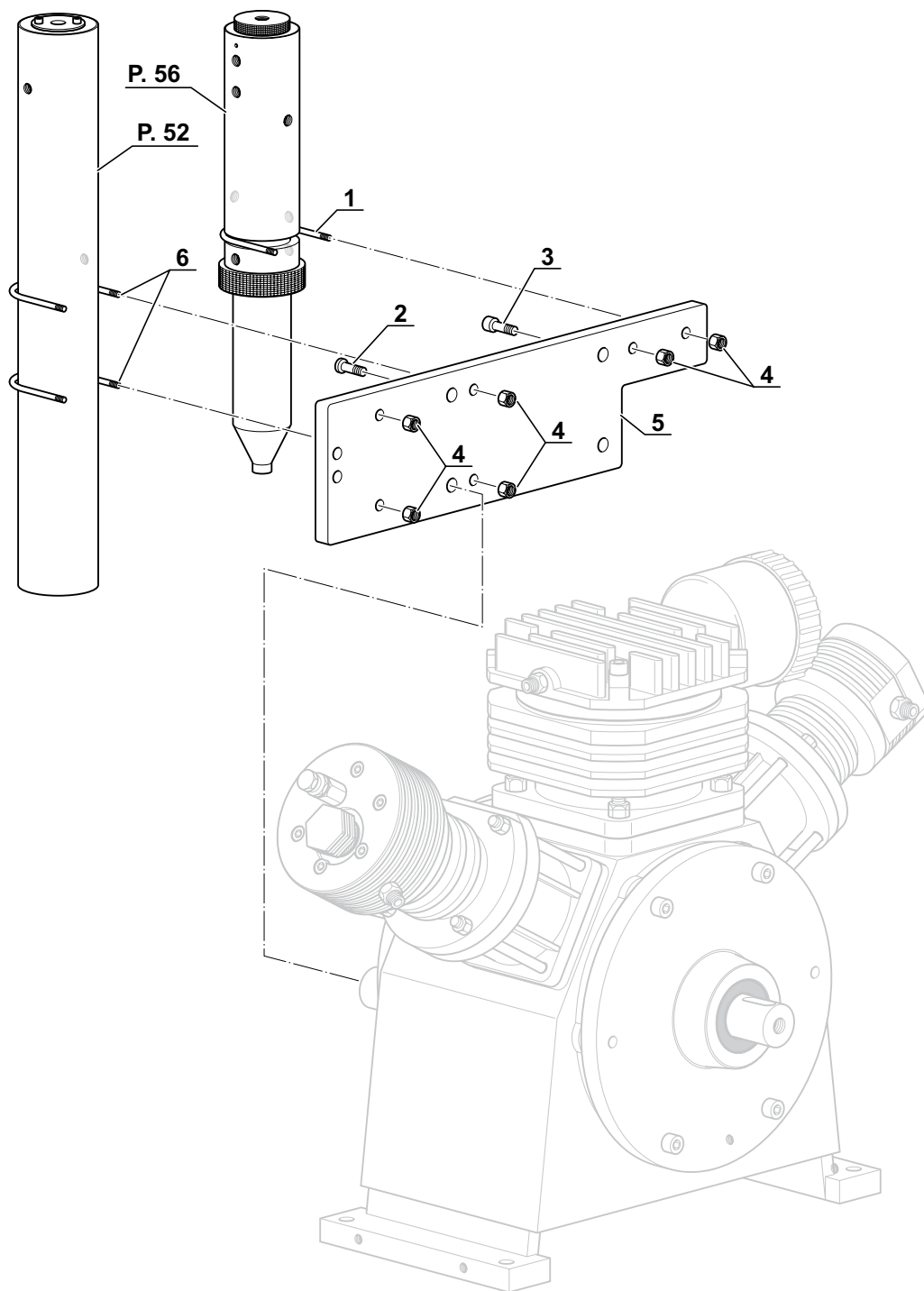
CIRCUITO DI PRESSIONE - PRESSURE CIRCUIT
 Mod: Tropical - Tropical Plus



SUPPORTI - SUPPORT

Rif. Pos.	Q.tà Q.ty	Codice Code	Descrizione	Description
1	3	13-00-0102	STAFFA PORTASEPARATORE	SEPARATOR CLAMP
2	2	VITE0825	VITE T.C.E. ZINC. 8x25 TESTA	SCREW T.C.E. ZINC. 8x25 REDUCED HEAD
3	2	13-00-0048	VITE 8X25 T.C.E. ZINC. DIN 912	SCREW 8X25 T.C.E. ZINC. DIN 912
4	6	13-00-0018	DADO ZINCATO M8 MEDIO	MIDDLE NUT M8 ZINC.
5	1	13-00-0094	PIASTRA PORTAFILTRI MCH13/16 ZINCATA BIANCA CON BECCO	HOLD-FILTERS PLATE MCH13/16
6	2	13-00-0093	STAFFA PORTAFILTRO MCH13-16	FILTER HOLDING BRACKET MCH13/16

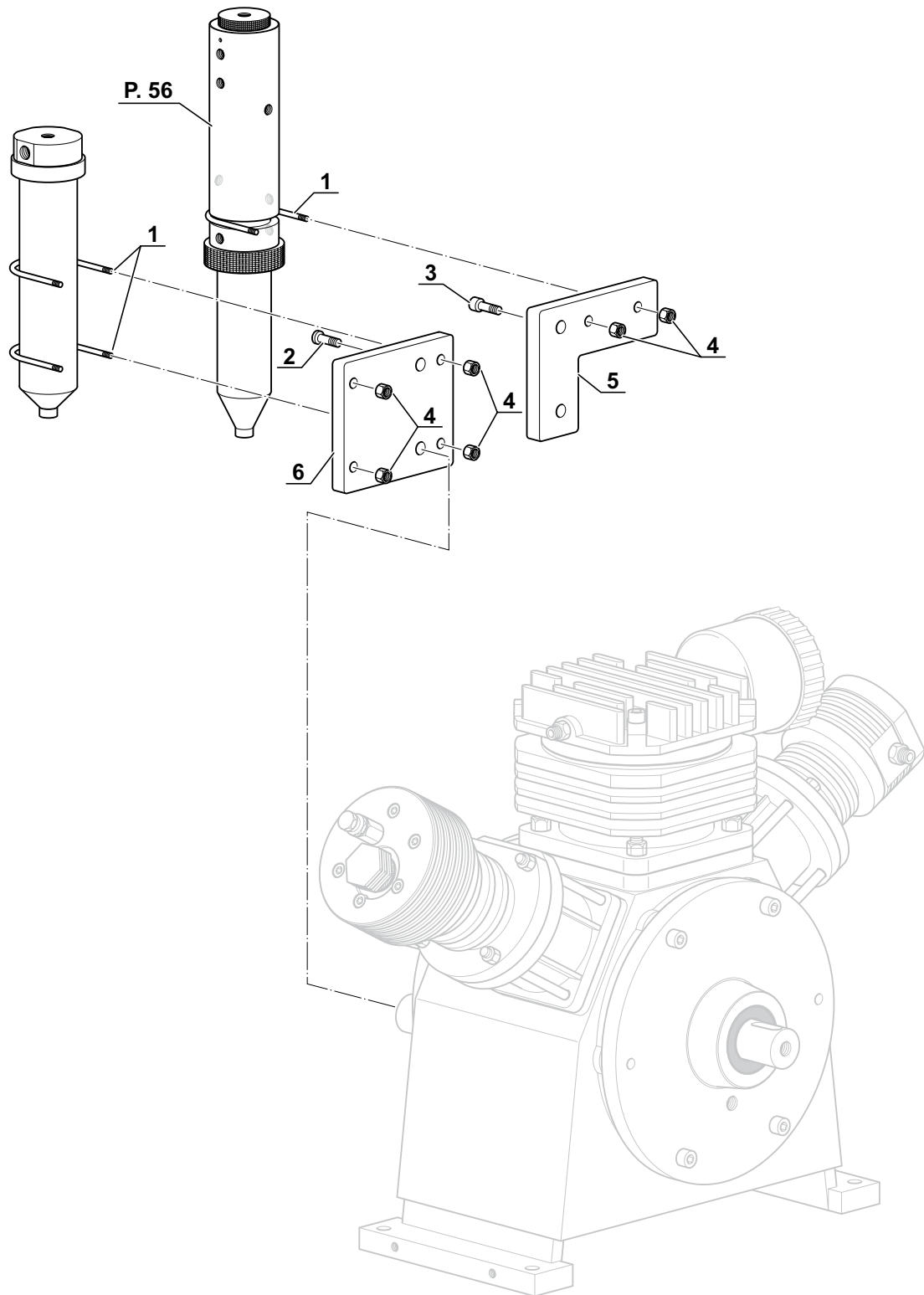
SUPPORTI - SUPPORT



SUPPORTI - SUPPORT
Mod: Tropical - Tropical Plus

Rif. Pos.	Q.tà Q.ty	Codice Code	Descrizione	Description
1	3	13-00-0102	STAFFA PORTASEPARATORE	SEPARATOR CLAMP
2	2	VITE0825	VITE T.C.E. ZINC. 8x25 TESTA	SCREW T.C.E. ZINC. 8x25 REDUCED HEAD
3	2	13-00-0048	VITE 8X25 T.C.E. ZINC. DIN 912	SCREW 8X25 T.C.E. ZINC. DIN 912
4	6	13-00-0018	DADO ZINCATO M8 MEDIO	MIDDLE NUT M8 ZINC.
5	1	13-00-0094/1	PIASTRA PORTA SEPARATORE MCH13/16 ZINCATA BIANCA	CONDENSATE SEPARATOR PLATE MCH13-16 ZINC.
6	1	13-00-0094/2	PIASTRA QUADRA PORTA SEPARATORE MCH13-16 TROPICAL	SQUARE CONDENSATE SEPARATOR PLATE MCH13-16 ZINC.

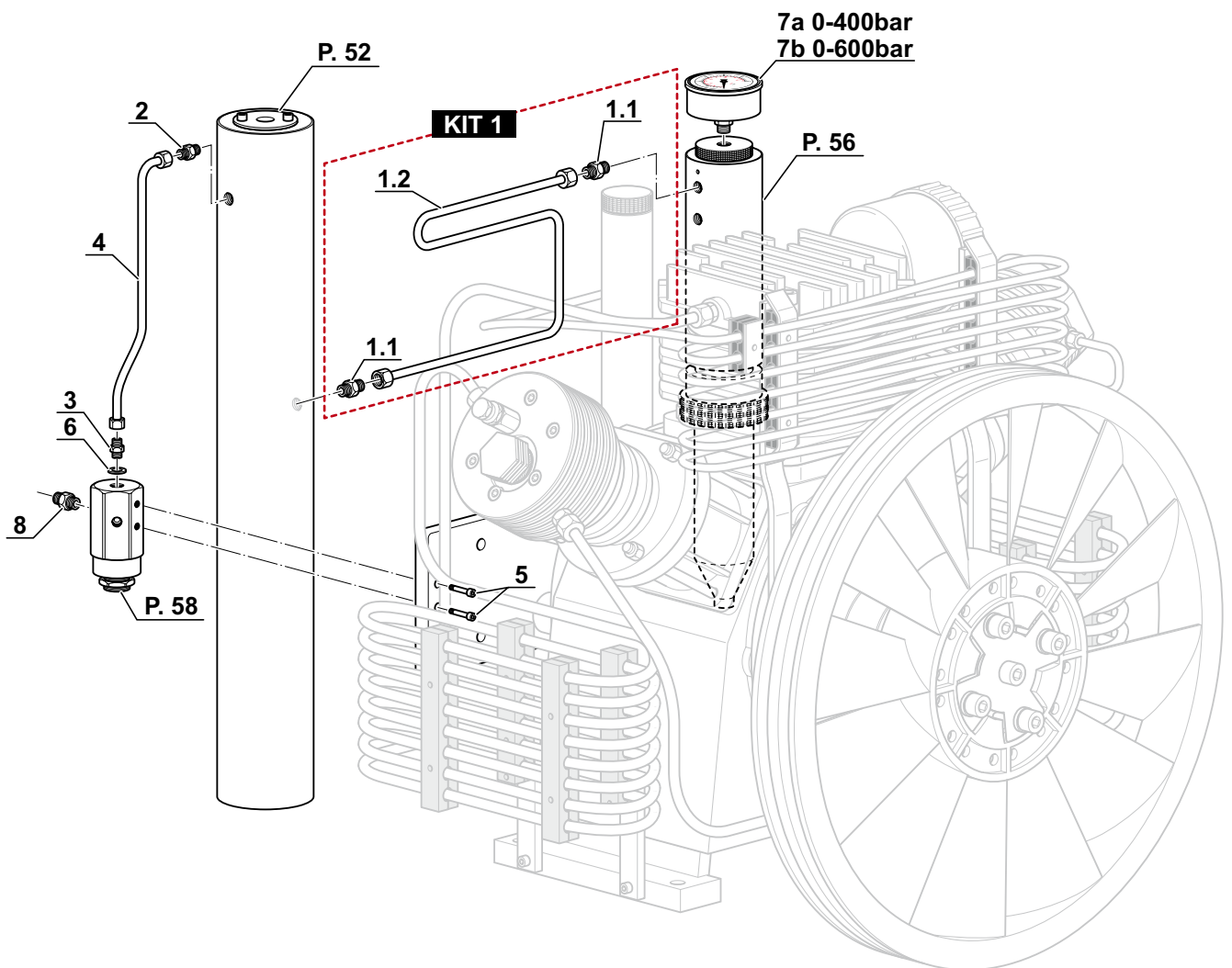
SUPPORTI - SUPPORT
Mod: Tropical - Tropical Plus



CIRCUITO DI FILTRAZIONE - FILTERING CIRCUIT
Mod: Standard - MiniTech

Rif. Pos.	Q.tà Q.ty	Codice Code	Descrizione	Description
KIT1	1	TUBO/MCH13/B/N/R	KIT TUBO COLLEGAM. FILTRO/SEP. (B)	SEPARATOR-FILTER TUBE CONNECTION13/16 KIT
KIT1	1.1	13-00-0174E	RACCORDO 1/8 NPT TUBO 6mm	FITTING 1/8 NPT TUBE 6 mm
	1.2	TUBO/MCH13/B/N	TUBO COLLEGAM. FILTRO/SEP. (B)	SEPARATOR-FILTER TUBE CONNECTION13/16
	2	13-00-0174E	RACCORDO 1/8 NPT TUBO 6mm	FITTING 1/8 NPT TUBE 6 mm
	3	13-00-0025E	RACCORDO 1/4 G -TUBO 6mm DIRITTO ERMETO	FITTING 1/4 G -TUBO 6mm ERMETO
	4	13-04-0320	TUBO COLLEG. FIL.VALV.MANT.(A)	FILTER-VMP TUBE CONNECTION MCH13/16
	5	13-00-0084	VITE 6X15 T.C.E. ZINC.	SCREW 6X15 T.C.E. ZINC.
	6	GUAR1420	GUARNIZIONE RAME 14x20x1.5	COPPER GASKET 14x20x1.5
	7a	6-05-001A	MAN.0-400 BAR/PSI SENZA FLANGI	MANOMETER 0-400 BAR MCH/6
	7b	6-05-001A/600	MAN.0-600 BAR/PSI SENZA FLANGI	MANOMETER 0-600 BAR MCH/6
	8	13-00-0174	Racc. 1/8 NPT 7/16 Tubo 6 mm	STRAIGHT 1/8 PIPE FITTING 6

CIRCUITO DI FILTRAZIONE - FILTERING CIRCUIT Mod: Standard - MiniTech



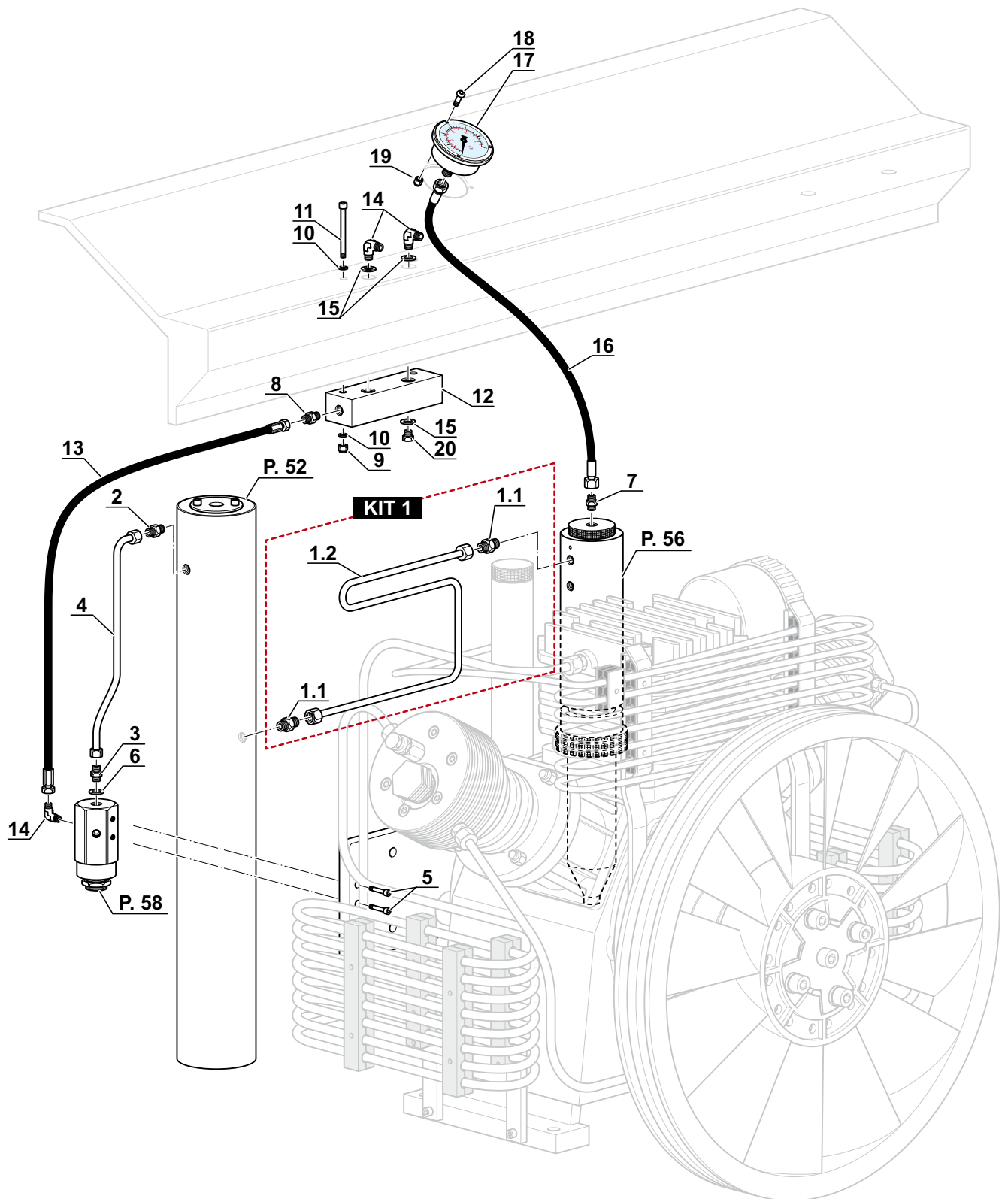
CIRCUITO DI FILTRAZIONE - FILTERING CIRCUIT

Mod: Tech

Rif. Pos.	Q.tà Q.ty	Codice Code	Descrizione	Description	
KIT1	1	TUBO/MCH13/B/N/R	KIT TUBO COLLEGAM. FILTRO/SEP. (B)	SEPARATOR-FILTER TUBE CONNECTION13/16 KIT	
KIT1	1.1	2	13-00-0174E	RACCORDO 1/8 NPT TUBO 6mm	FITTING 1/8 NPT TUBE 6 mm
	1.2	1	TUBO/MCH13/B/N	TUBO COLLEGAM. FILTRO/SEP. (B)	SEPARATOR-FILTER TUBE CONNECTION13/16
	2	1	13-00-0174E	RACCORDO 1/8 NPT TUBO 6mm	FITTING 1/8 NPT TUBE 6 mm
	3	1	13-00-0025E	RACCORDO 1/4 G -TUBO 6mm DIRITTO ERMETO	FITTING 1/4 G -TUBO 6mm ERMETO
	4	1	13-04-0320	TUBO COLLEG. FIL.VALV.MANT.(A)	FILTER-VMP TUBE CONNECTION MCH13/16
	5	1	13-00-0084	VITE 6X15 T.C.E. ZINC.	SCREW 6X15 T.C.E. ZINC.
	6	1	GUAR1420	GUARNIZIONE RAME 14x20x1.5	COPPER GASKET 14x20x1.5
	7	1	13-00-0025	RACCORDO 1/4 NPT -TUBO 6mm DIRITTO 7/16	STRAIGHT FITTING 1/4 TUBE 6MM 7/16
	8	1	13-00-0174	Racc. 1/8 NPT 7/16 Tubo 6 mm	STRAIGHT 1/8 PIPE FITTING 6
	9	2	13-00-0137	DADO ZINCATO AUTOBLOC. M6 ALTO	SELF LOCKING NUT M6 HIGH
	10	4	RON6I	RONDELLA PIANA M6 INOX DIN125	FLAT WASHER M6 INOX DIN125
	11	2	VITE0645I	VITE T.C.E. INOX 6x45	SCREW T.C.E. INOX 6x45
	12	1	13-04-0217	BLOCCETTO ALLUMINIO RAMPA DI RICARICA	RECHARGE ALUMINIUM BLOCK
	13	1	13-04-0285/AIR	TUBO HP R8 800mm AIR	HP R8 800mm AIR TUBE
	14	3	13-00-0144	RACCORDO 90° 1/8 - 7/16 TUBO 6mm	FITTING 90° 1/8 - TUBO 6mm
	15	4	RON10I	RONDELLA PIANA M10 INOX DIN125	FLAT WASHER M10 INOX DIN125
	16	1	13-04-0213	MICROTUBO 1/4-7/16 400mm	MICRO-HOSE 1/4-7/16 400mm
	17	1	13-04-0211	MANOMETRO 0-400BAR CON FLANGIA	MANOMETER 0-400BAR W/FLANGE
	18	3	36-07-006	VITE TCEI M3x10 INOX MCH36	SCREW TCEI M3x10 INOX MCH36
	19	3	DA003I	DADO INOX AUTOBLOC. M3	SELF LOCKING NUT M3 INOX
	20	2	13-00-0139	TAPPO 1/8 NPT CIECO	PLUG 1/8 NPT

CIRCUITO DI FILTRAZIONE - FILTERING CIRCUIT

Mod: Tech



CIRCUITO DI FILTRAZIONE - FILTERING CIRCUIT

Mod: Compact, Compact M

Rif. Pos.	Q.tà Q.ty	Codice Code	Descrizione	Description	
KIT1	1	TUBO/MCH13/B/N/R	KIT TUBO COLLEGAM. FILTRO/SEP. (B)	SEPARATOR-FILTER TUBE CONNECTION13/16 KIT	
KIT1	1.1	2	13-00-0174E	RACCORDO 1/8 NPT TUBO 6mm	FITTING 1/8 NPT TUBE 6 mm
	1.2	1	TUBO/MCH13/B/N	TUBO COLLEGAM. FILTRO/SEP. (B)	SEPARATOR-FILTER TUBE CONNECTION13/16
	2	1	13-00-0174E	RACCORDO 1/8 NPT TUBO 6mm	FITTING 1/8 NPT TUBE 6 mm
	3	1	13-00-0025E	RACCORDO 1/4 G -TUBO 6mm DIRITTO ERMETO	FITTING 1/4 G -TUBO 6mm ERMETO
	4	1	13-04-0320	TUBO COLLEG. FIL.VALV.MANT.(A)	FILTER-VMP TUBE CONNECTION MCH13/16
	5	1	13-00-0084	VITE 6X15 T.C.E. ZINC.	SCREW 6X15 T.C.E. ZINC.
	6	1	GUAR1420	GUARNIZIONE RAME 14x20x1.5	COPPER GASKET 14x20x1.5
	7	1	13-00-0025	RACCORDO 1/4 NPT -TUBO 6mm DIRITTO 7/16	STRAIGHT FITTING 1/4 TUBE 6MM 7/16
	8	1	13-00-0174	Racc. 1/8 NPT 7/16 Tubo 6 mm	STRAIGHT 1/8 PIPE FITTING 6
	9	2	13-00-0137	DADO ZINCATO AUTOBLOC. M6 ALTO	SELF LOCKING NUT M6 HIGH
	10	4	RON6I	RONDELLA PIANA M6 INOX DIN125	FLAT WASHER M6 INOX DIN125
	11	2	VITE0645I	VITE T.C.E. INOX 6x45	SCREW T.C.E. INOX 6x45
	12	1	13-04-0217	BLOCCETTO ALLUMINIO RAMPA DI RICARICA	RECHARGE ALUMINIUM BLOCK
	13	1	13-04-0285/AIR	TUBO HP R8 800mm AIR	HP R8 800mm AIR TUBE
	14	1	13-00-0144	RACCORDO 90° 1/8 - 7/16 TUBO 6mm	FITTING 90° 1/8 - TUBO 6mm
	15	3	RON10I	RONDELLA PIANA M10 INOX DIN125	FLAT WASHER M10 INOX DIN125
	16	1	13-04-0213	MICROTUBO 1/4-7/16 400mm	MICRO-HOSE 1/4-7/16 400mm MANOMETER HOLDER
	17	1	13-04-0211	MANOMETRO 0-400BAR CON FLANGIA	MANOMETER 0-400BAR W/FLANGE
	18	3	36-07-006	VITE TCEI M3x10 INOX MCH36	SCREW TCEI M3x10 INOX MCH36
	19	3	DA003I	DADO INOX AUTOBLOC. M3	SELF LOCKING NUT M3 INOX
	20	1	36-05-00240	MICROTUBO 1/4-7/16 L.300 mm	MICRO-HOSE 1/4-7/16 300mm MANOMETER HOLDER
	21a	1	SC000310	PRESSOSTATO CON MICRO 280 BAR	PRESSURE SWITCH MICRO 280 BAR
	21b	1	SC000315	PRESSOSTATO CON MICRO 330BAR	PRESSURE SWITCH MICRO 330BAR
	22	1	13-00-0139	TAPPO 1/8 NPT CIECO	PLUG 1/8 NPT

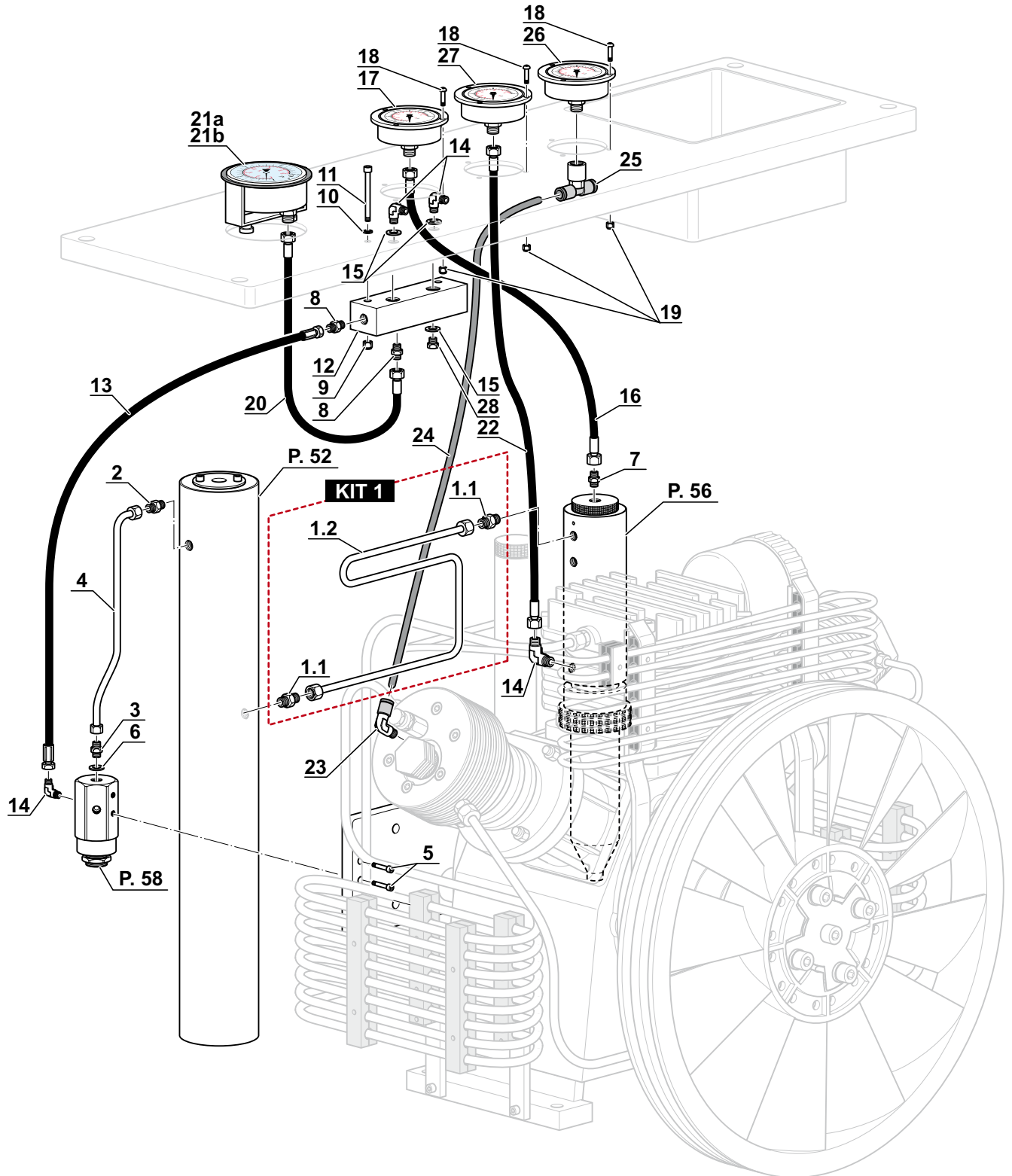
CIRCUITO DI FILTRAZIONE - FILTERING CIRCUIT

Mod: Compact Evo

Rif. Pos.	Q.tà Q.ty	Codice Code	Descrizione	Description	
KIT1	1	TUBO/MCH13/B/N/R	KIT TUBO COLLEGAM. FILTRO/SEP. (B)	SEPARATOR-FILTER TUBE CONNECTION13/16 KIT	
KIT1	1.1	2	13-00-0174E	RACCORDO 1/8 NPT TUBO 6mm	FITTING 1/8 NPT TUBE 6 mm
	1.2	1	TUBO/MCH13/B/N	TUBO COLLEGAM. FILTRO/SEP. (B)	SEPARATOR-FILTER TUBE CONNECTION13/16
	2	1	13-00-0174E	RACCORDO 1/8 NPT TUBO 6mm	FITTING 1/8 NPT TUBE 6 mm
	3	1	13-00-0025E	RACCORDO 1/4 G -TUBO 6mm DIRITTO ERMETO	FITTING 1/4 G -TUBO 6mm ERMETO
	4	1	13-04-0320	TUBO COLLEG. FILV.MANT.(A)	FILTER-VMP TUBE CONNECTION MCH13/16
	5	1	13-00-0084	VITE 6X15 T.C.E. ZINC.	SCREW 6X15 T.C.E. ZINC.
	6	1	GUAR1420	GUARNIZIONE RAME 14x20x1.5	COPPER GASKET 14x20x1.5
	7	1	13-00-0025	RACCORDO 1/4 NPT -TUBO 6mm DIRITTO 7/16	STRAIGHT FITTING 1/4 TUBE 6MM 7/16
	8	1	13-00-0174	Racc. 1/8 NPT 7/16 Tubo 6 mm	STRAIGHT 1/8 PIPE FITTING 6
	9	2	13-00-0137	DADO ZINCATO AUTOBLOC. M6 ALTO	SELF LOCKING NUT M6 HIGH
	10	4	RON6I	RONDELLA PIANA M6 INOX DIN125	FLAT WASHER M6 INOX DIN125
	11	2	VITE0645I	VITE T.C.E. INOX 6x45	SCREW T.C.E. INOX 6x45
	12	1	13-04-0217	BLOCCETTO ALLUMINIO RAMPA DI RICARICA	RECHARGE ALUMINIUM BLOCK
	13	1	13-04-0285/AIR	TUBO HP R8 800mm AIR	HP R8 800mm AIR TUBE
	14	1	13-00-0144	RACCORDO 90° 1/8 - 7/16 TUBO 6mm	FITTING 90° 1/8 - TUBO 6mm
	15	3	RON10I	RONDELLA PIANA M10 INOX DIN125	FLAT WASHER M10 INOX DIN125
	16	1	13-04-0213	MICROTUBO 1/4-7/16 400mm	MICRO-HOSE 1/4-7/16 400mm MANOMETER HOLDER
	17	1	13-04-0211	MANOMETRO 0-400BAR CON FLANGIA	MANOMETER 0-400BAR W/FLANGE
	18	3	36-07-006	VITE TCEI M3x10 INOX MCH36	SCREW TCEI M3x10 INOX MCH36
	19	9	DA003I	DADO INOX AUTOBLOC. M3	SELF LOCKING NUT M3 INOX
	20	1	36-05-00240	MICROTUBO 1/4-7/16 L.300 mm	MICRO-HOSE 1/4-7/16 300mm MANOMETER HOLDER
	21a	1	SC000310	PRESSOSTATO CON MICRO 280 BAR	PRESSURE SWITCH MICRO 280 BAR
	21b	1	SC000315	PRESSOSTATO CON MICRO 330BAR	PRESSURE SWITCH MICRO 330BAR
	22	1	13-04-0214	MICROTUBO 1/4-7/16 600mm	MICRO-HOSE 1/4-7/16 600mm MANOMETER HOLDER
	23	1	RACC/E2006009W	RACC. L MASCHIO GIREVOLE CON OR E2006009W 1/8 TUBO 8	TURNING FITTING 90° WITH OR E2006009W 1/8 TUBE 8
	24	1	T-RLS-6X4/N-400	TUBO RILSAN NERO 60°C 400mm	BLACK RILSAN HOSE 60°C 400mm
	25	1	RACC/E2L35F08	RACC. T FEMMINA GIREVOLE E2L35F08 1/4 F TUBO 6	T FITTING 1/4 F TUBE 6
	26	1	13-05-0120	MAN.0-16 BAR/PSI CON FLANGIA	FLANGED PRESSURE GAUGE 0-16 BAR/PSI
	27	1	13-05-0130	MAN.0-100 BAR/PSI CON FLANGIA	FLANGED PRESSURE GAUGE 0-100 BAR/PSI
	28	1	13-00-0139	TAPPO 1/8 NPT CIECO	PLUG 1/8 NPT

CIRCUITO DI FILTRAZIONE - FILTERING CIRCUIT

Mod: Compact Evo

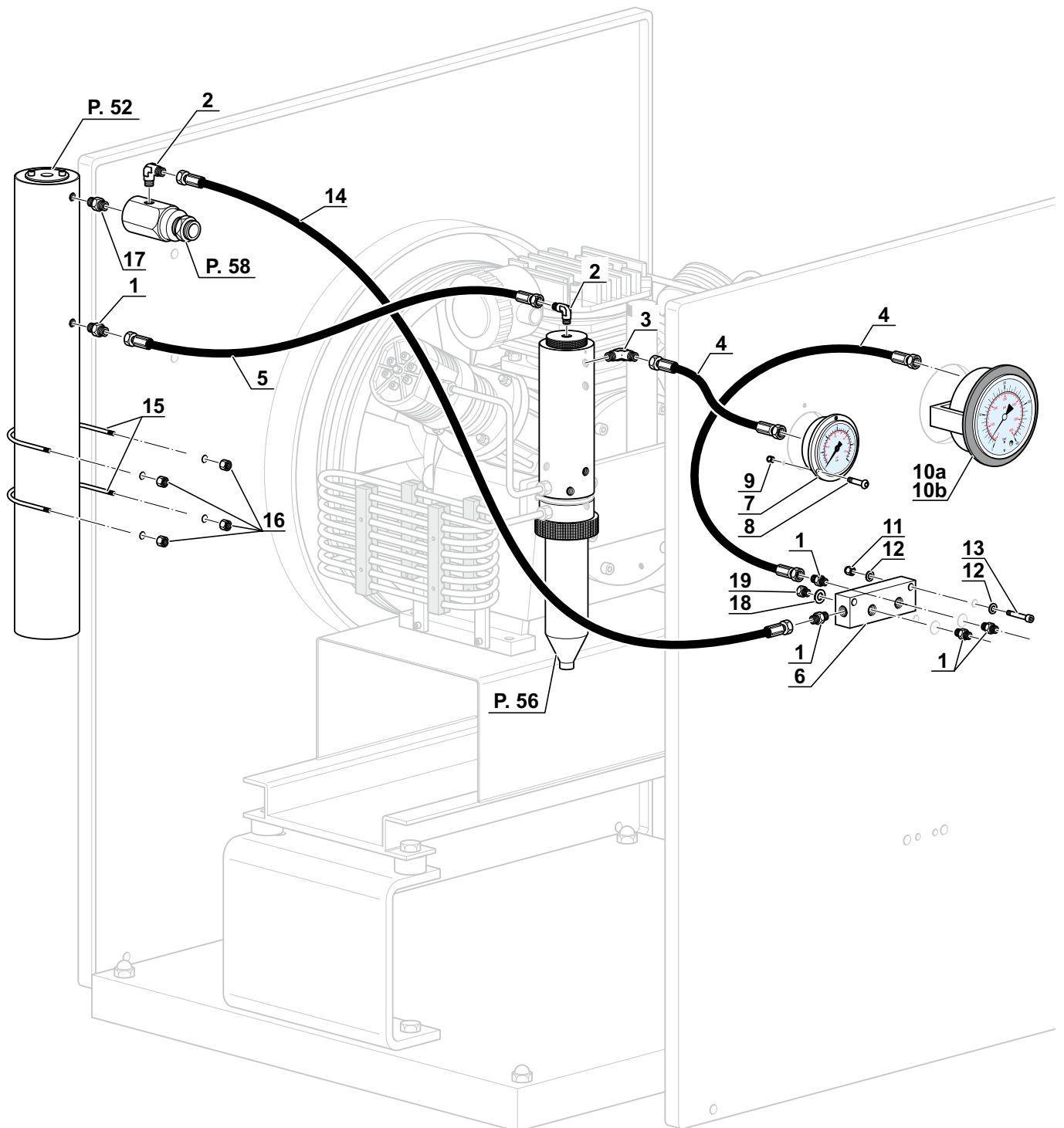


CIRCUITO DI FILTRAZIONE - FILTERING CIRCUIT

Mod: Mini Silent

Rif. Pos.	Q.tà Q.ty	Codice Code	Descrizione	Description
1	6	13-00-0174	Racc. 1/8 NPT 7/16 Tubo 6 mm	STRAIGHT 1/8 PIPE FITTING 6
2	2	36-07-008	RACCORDO 90° 1/4NPT - 7/16	FITTING 90° 1/4NPT - 7/16
3	1	13-00-0144	RACCORDO 90° 1/8 - 7/16 TUBO 6mm	FITTING 90° 1/8 - TUBO 6mm
4	2	13-04-0500	MICROTUBO 1/4-7/16 250mm	MICRO-HOSE 1/4-7/16 250mm MANOMETER-HOLDER
5	1	13-04-0284/AIR	TUBO HP 600mm AIR	HP 600mm AIR TUBE
6	1	13-04-0217	BLOCCETTO ALLUMINIO RAMPA DI RICARICA	RECHARGE ALUMINIUM BLOCK
7	1	13-04-0211	MANOMETRO 0-400BAR CON FLANGIA	0-400BAR W/FLANGE PRESSURE GAUGE
8	3	36-07-006	VITE TCEI M3x10 INOX MCH36	SCREW TCEI M3x10 INOX MCH36
9	3	DA003I	DADO INOX AUTOBLOC. M3	SELF LOCKING NUT M3 INOX
10a	1	SC000310	PRESSOSTATO CON MICRO 280 BAR	PRESSURE SWITCH MICRO 280 BAR
10b	1	SC000315	PRESSOSTATO CON MICRO 330BAR	PRESSURE SWITCH MICRO 330BAR
11	2	13-00-0137	DADO ZINCATO AUTOBLOC. M6 ALTO	SELF LOCKING NUT M6 HIGH
12	4	RON6I	RONDELLA PIANA M6 INOX DIN125	FLAT WASHER M6 INOX DIN125
13	2	VITE0645I	VITE T.C.E. INOX 6x45	SCREW T.C.E. INOX 6x45
14	1	13-04-0327/AIR	TUBO HP 700mm AIR	HP 700mm AIR HOSE
15	2	13-00-0093	STAFFA PORTAFILTRO MCH13-16	FILTER HOLDING BRACKET MCH13/16
16	4	13-00-0101	DADO ZINCATO AUTOBLOC. M8 ALTO	8MM SELF-LOCKING NUT
17	1	13-00-0173	RACCORDO DIRITTO VALVOLA	SAFETY VALVE FITTING 1/8" NPT
18	1	RON10I	RONDELLA PIANA M10 INOX DIN125	FLAT WASHER M10 INOX DIN125
19	1	13-00-0139	TAPPO 1/8 NPT CIECO	PLUG 1/8 NPT

CIRCUITO DI FILTRAZIONE - FILTERING CIRCUIT Mod: Mini Silent

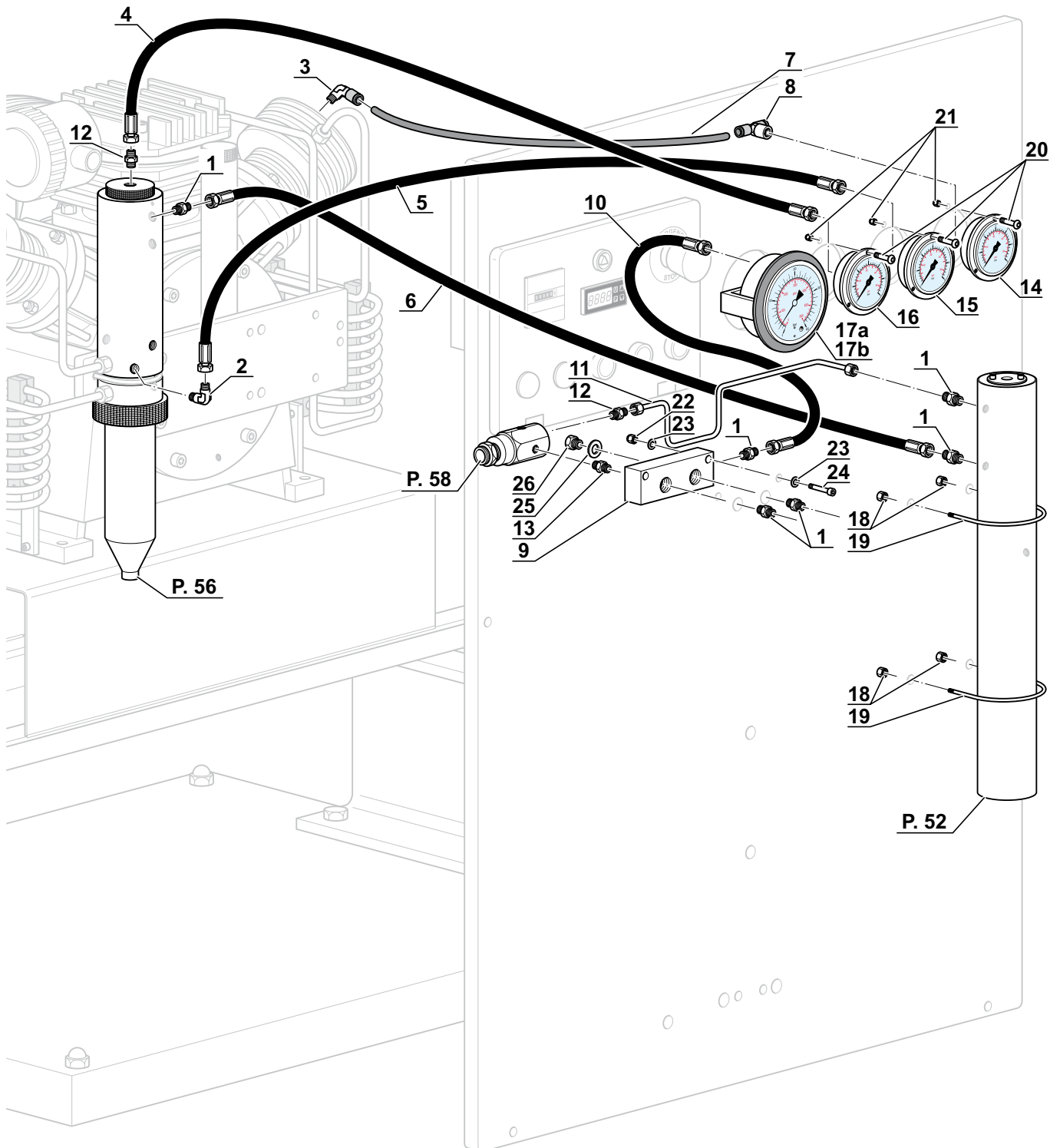


CIRCUITO DI FILTRAZIONE - FILTERING CIRCUIT

Mod: Super Silent Evo

Rif. Pos.	Q.tà Q.ty	Codice Code	Descrizione	Description
1	7	13-00-0174	Racc. 1/8 NPT 7/16 Tubo 6 mm	STRAIGHT 1/8 PIPE FITTING 6
2	1	13-00-0144	RACCORDO 90° 1/8 - 7/16 TUBO 6mm	FITTING 90° 1/8 - TUBO 6mm
3	1	RACC/E2006009W	RACC. L MASCHIO GIREVOLE CON OR E2006009W 1/8 TUBO 8	TURNING FITTING 90° WITH OR E2006009W 1/8 TUBE 8
4	1	13-04-0213	MICROTUBO 1/4-7/16 400mm	MICRO-HOSE 1/4-7/16 400mm MANOMETER HOLDER
5	1	36-05-00200	MICROTUBO 1/4-7/16 800mm	MICRO-HOSE 1/4-7/16 800mm MANOMETER HOLDER
6	1	13-04-0322	TUBO HP 500mm	HP HOSE 500MM
7	1	T-RLS-6X4/N-500	TUBO RILSAN NERO 60°C 500mm	BLACK RILSAN HOSE 60°C 500mm
8	1	RACC/E2L35F08	RACC. T FEMMINA GIREVOLE E2L35F08 1/4 F TUBO 6	T FITTING 1/4 F TUBE 6
9	1	13-04-0217	BLOCCETTO ALLUMINIO RAMPA DI RICARICA	RECHARGE ALUMINIUM BLOCK
10	1	36-05-00240	MICROTUBO 1/4-7/16 L.300 mm	MICRO-HOSE 1/4-7/16 300mm MANOMETER HOLDER
11	1	13-00-0037	TUBO INOX DIAM.6X1 TELAIO MCH13TELAIO	INOX PIPE D6X1 FRAME MCH13
12	1	13-00-0025	RACCORDO 1/4 NPT -TUBO 6mm DIRITTO 7/16	STRAIGHT FITTING 1/4 TUBE 6MM 7/16
13	1	13-04-0520	RACCORDO 1/4 GAS - 1/8 NPT F.	FITTING 1/4 GAS - 1/8 NPT F.
14	1	13-05-0120	MAN.0-16 BAR/PSI CON FLANGIA	FLANGED PRESSURE GAUGE 0-16 BAR/PSI
15	1	13-05-0130	MAN.0-100 BAR/PSI CON FLANGIA	FLANGED PRESSURE GAUGE 0-100 BAR/PSI
16	1	13-04-0211	MANOMETRO 0-400BAR CON FLANGIA	0-400BAR W/FLANGE PRESSURE GAUGE
17a	1	SC000310	PRESSOSTATO CON MICRO 280 BAR	PRESSURE SWITCH MICRO 280 BAR
17b	1	SC000315	PRESSOSTATO CON MICRO 330BAR	PRESSURE SWITCH MICRO 330BAR
18	4	13-00-0101	DADO ZINCATO AUTOBLOC. M8 ALTO	8MM SELF-LOCKING NUT
19	2	13-00-0093	STAFFA PORTAFILTRO MCH13-16	FILTER HOLDING BRACKET MCH13/16
20	9	36-07-006	VITE TCEI M3x10 INOX MCH36	SCREW TCEI M3x10 INOX MCH36
21	9	DA0031	DADO INOX AUTOBLOC. M3	SELF LOCKING NUT M3 INOX
22	2	13-00-0137	DADO ZINCATO AUTOBLOC. M6 ALTO	SELF LOCKING NUT M6 HIGH
23	4	RON6I	RONDELLA PIANA M6 INOX DIN125	FLAT WASHER M6 INOX DIN125
24	2	VITE0645I	VITE T.C.E. INOX 6x45	SCREW T.C.E. INOX 6x45
25	1	RON10I	RONDELLA PIANA M10 INOX DIN125	FLAT WASHER M10 INOX DIN125
26	1	13-00-0139	TAPPO 1/8 NPT CIECO	PLUG 1/8 NPT

CIRCUITO DI FILTRAZIONE - FILTERING CIRCUIT Mod: Super Silent Evo



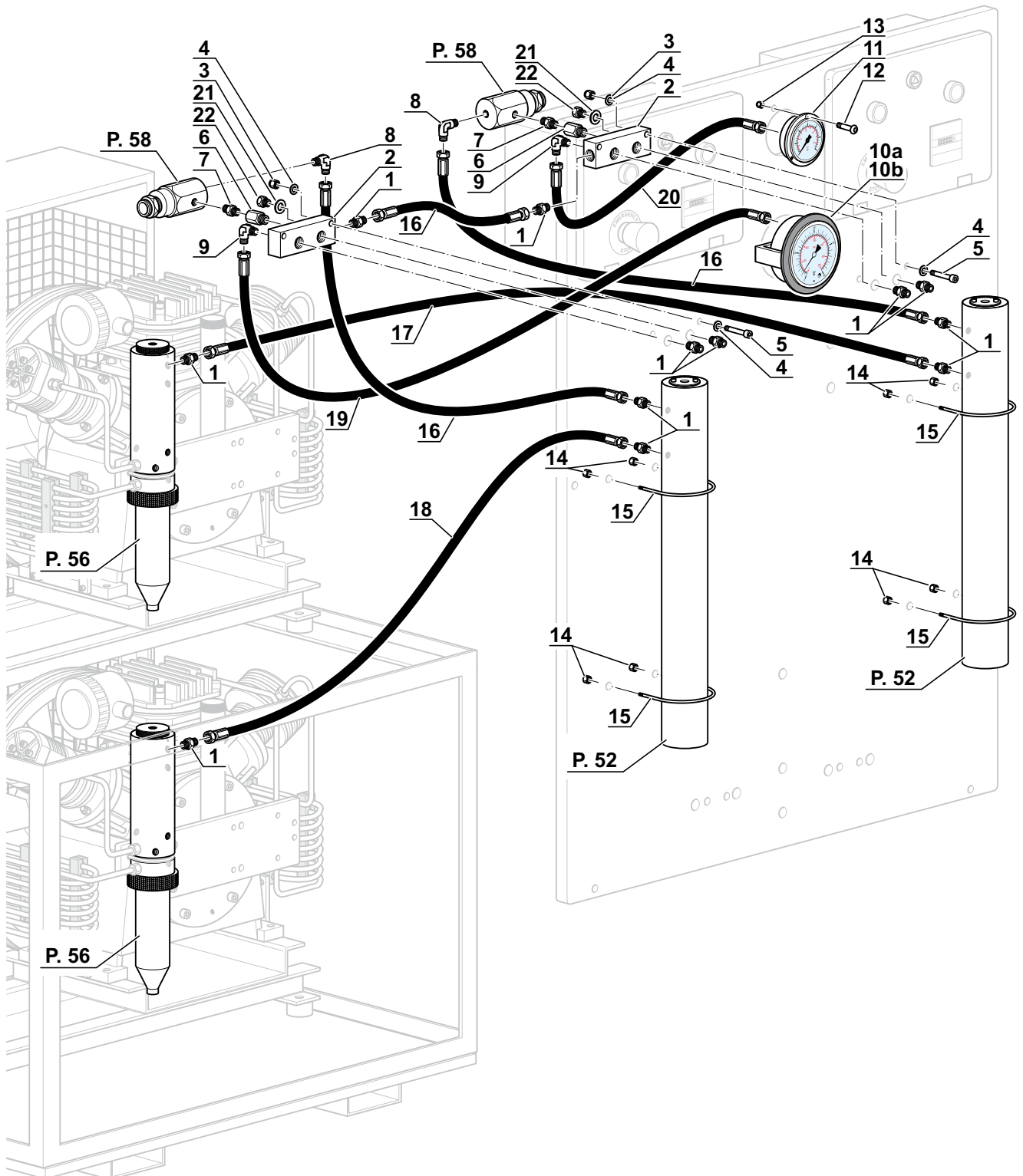
CIRCUITO DI FILTRAZIONE - FILTERING CIRCUIT

Mod: MCH26-32/ET Compact

Rif. Pos.	Q.tà Q.ty	Codice Code	Descrizione	Description
1	12	13-00-0174	Racc. 1/8 NPT 7/16 Tubo 6 mm	STRAIGHT 1/8 PIPE FITTING 6
2	2	13-04-0217	BLOCCETTO ALLUMINIO RAMPA DI RICARICA	RECHARGE ALUMINIUM BLOCK
3	4	13-00-0137	DADO ZINCATO AUTOBLOC. M6 ALTO	SELF LOCKING NUT M6 HIGH
4	8	RON6I	RONDELLA PIANA M6 INOX DIN125	FLAT WASHER M6 INOX DIN125
5	4	VITE0645I	VITE T.C.E. INOX 6x45	SCREW T.C.E. INOX 6x45
6	2	6-02-011	RACCORDO CILINDRO 2° STADIO	ELBOW CYLINDER 2°ND STAGE MCH6
7	2	36-07-053	RACCORDO MM 1/4 NPT - 1/4 NPT	1/4 NPT - 1/4 NPT FITTING
8	2	36-07-008	RACCORDO 90° 1/4NPT - 7/16	FITTING 90° 1/4NPT - 7/16
9	2	13-00-0144	RACCORDO 90° 1/8 - 7/16 TUBO 6mm	FITTING 90° 1/8 - TUBO 6mm
10a	1	SC000310	PRESSOSTATO CON MICRO 280 BAR	PRESSURE SWITCH MICRO 280 BAR
10b	1	SC000315	PRESSOSTATO CON MICRO 330BAR	PRESSURE SWITCH MICRO 330BAR
11	1	13-04-0211	MANOMETRO 0-400BAR CON FLANGIA	0-400BAR W/FLANGE PRESSURE GAUGE
12	3	36-07-006	VITE TCEI M3x10 INOX MCH36	SCREW TCEI M3x10 INOX MCH36
13	3	DA003I	DADO INOX AUTOBLOC. M3	SELF LOCKING NUT M3 INOX
14	8	13-00-0101	DADO ZINCATO AUTOBLOC. M8 ALTO	8MM SELF-LOCKING NUT
15	2	13-00-0093	STAFFA PORTAFILTRO MCH13-16	FILTER HOLDING BRACKET MCH13/16
16	3	13-04-0226	TUBO HP 300mm	HP 300mm HOSE
17	1	13-04-0199/AIR	TUBO HP R8 900mm AIR	HP R8 900mm AIR HOSE
18	1	13-04-0285/AIR	TUBO HP R8 800mm AIR	HP R8 800mm AIR HOSE
19	1	36-05-00240	MICROTUBO 1/4-7/16 L.300 mm	MICRO-HOSE 1/4-7/16 300mm MANOMETER HOLDER
20	1	13-04-0213	MICROTUBO 1/4-7/16 400mm	MICRO-HOSE 1/4-7/16 400mm MANOMETER HOLDER
21	1	RON10I	RONDELLA PIANA M10 INOX DIN125	FLAT WASHER M10 INOX DIN125
22	1	13-00-0139	TAPPO 1/8 NPT CIECO	PLUG 1/8 NPT

CIRCUITO DI FILTRAZIONE - FILTERING CIRCUIT

Mod: MCH26-32/ET Compact

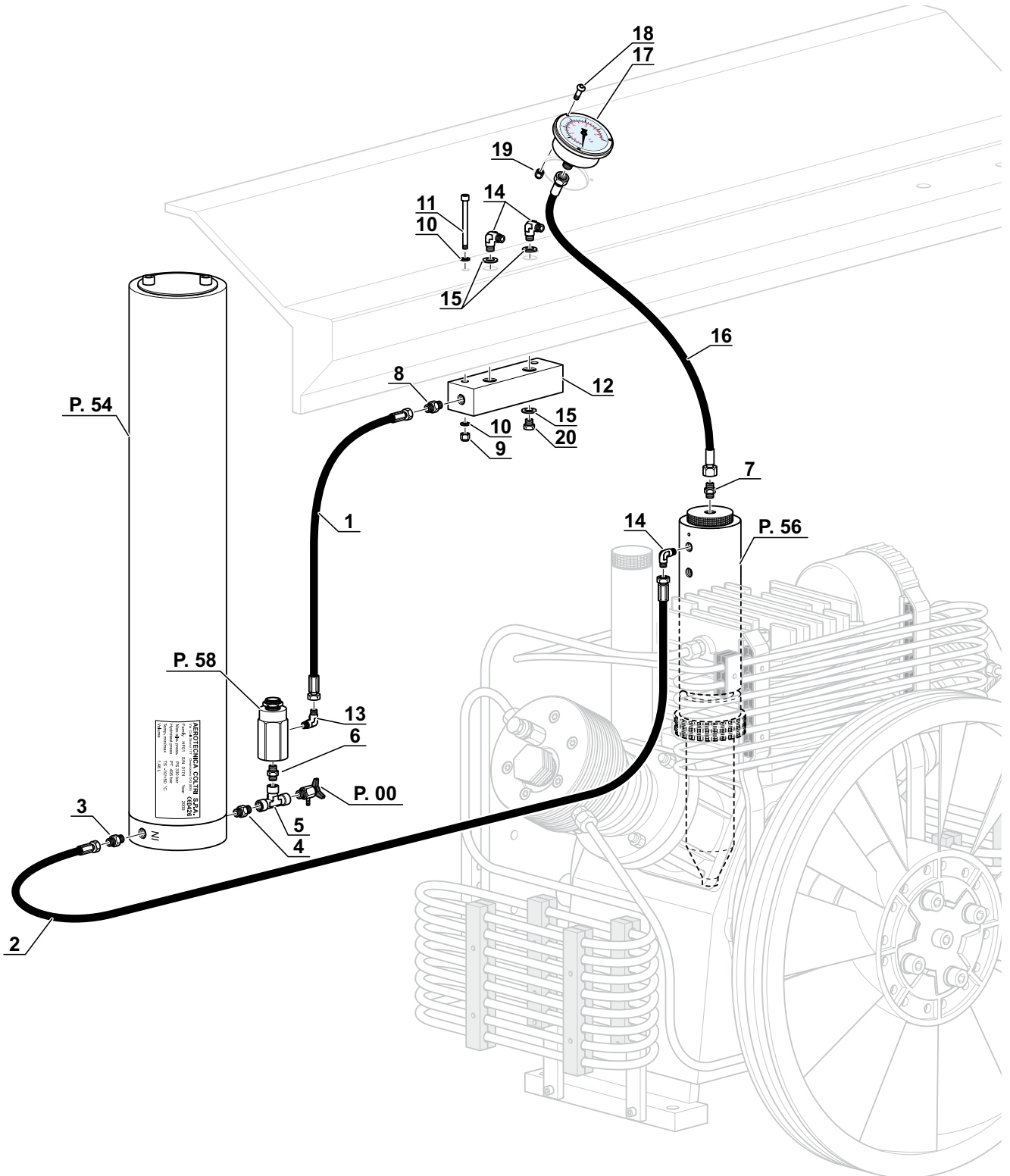


CIRCUITO DI FILTRAZIONE - FILTERING CIRCUIT

Mod: Tech Tropical - Tech Tropical Plus

Rif. Pos.	Q.tà Q.ty	Codice Code	Descrizione	Description
1	1	13-04-0250	TUBO HP 1200mm	HP HOSE 1200mm
2	1	13-04-0327/AIR	TUBO HP 700mm AIR	HP 700mm AIR HOSE
3	1	S230-06-17G	RACCORDO DIRITTO FIL.TERM.MAS. 3/8 GAS TUBO 6 7/16	STRAIGHT FITTING 3/8 GAS TUBE 6 7/16
4	1	RACC/E7223/8-1/4	RACCORDO E722- 3/8" 1/4" LARGA	FITTING 3/8" - 1/4"
5	1	RAC/1/4/T	RACCORDO A "T" FFF 1/4	FITTING "T" FFF 1/4
6	1	13-04-0225	RACCORDO 1/4 GAS - 1/4 NPT	1/4 GAS-1/4 NPT PIPE FITTING
7	1	13-00-0025	RACCORDO 1/4 NPT -TUBO 6mm DIRITTO 7/16	STRAIGHT FITTING 1/4 TUBE 6MM 7/16
8	1	13-00-0174	Racc. 1/8 NPT 7/16 Tubo 6 mm	STRAIGHT 1/8 PIPE FITTING 6
9	2	13-00-0137	DADO ZINCATO AUTOBLOC. M6 ALTO	SELF LOCKING NUT M6 HIGH
10	4	RON6I	RONDELLA PIANA M6 INOX DIN125	FLAT WASHER M6 INOX DIN125
11	2	VITE0645I	VITE T.C.E. INOX 6x45	SCREW T.C.E. INOX 6x45
12	1	13-04-0217	BLOCCETTO ALLUMINIO RAMPA DI RICARICA	RECHARGE ALUMINIUM BLOCK
13	1	13-00-0146	RACCORDO 90° 1/4 - TUBO 6mm	90° FITTING 1/4 - TUBE 6mm
14	3	13-00-0144	RACCORDO 90° 1/8 - 7/16 TUBO 6mm	FITTING 90° 1/8 - TUBO 6mm
15	2	RON10I	RONDELLA PIANA M10 INOX DIN125	FLAT WASHER M10 INOX DIN125
16	1	13-04-0213	MICROTUBO 1/4-7/16 400mm	MICRO-HOSE 1/4-7/16 400mm MANOMETER HOLDER
17	1	13-04-0211	MANOMETRO 0-400BAR CON FLANGIA	MANOMETER 0-400BAR W/FLANGE
18	3	36-07-006	VITE TCEI M3x10 INOX MCH36	SCREW TCEI M3x10 INOX MCH36
19	3	DA003I	DADO INOX AUTOBLOC. M3	SELF LOCKING NUT M3 INOX

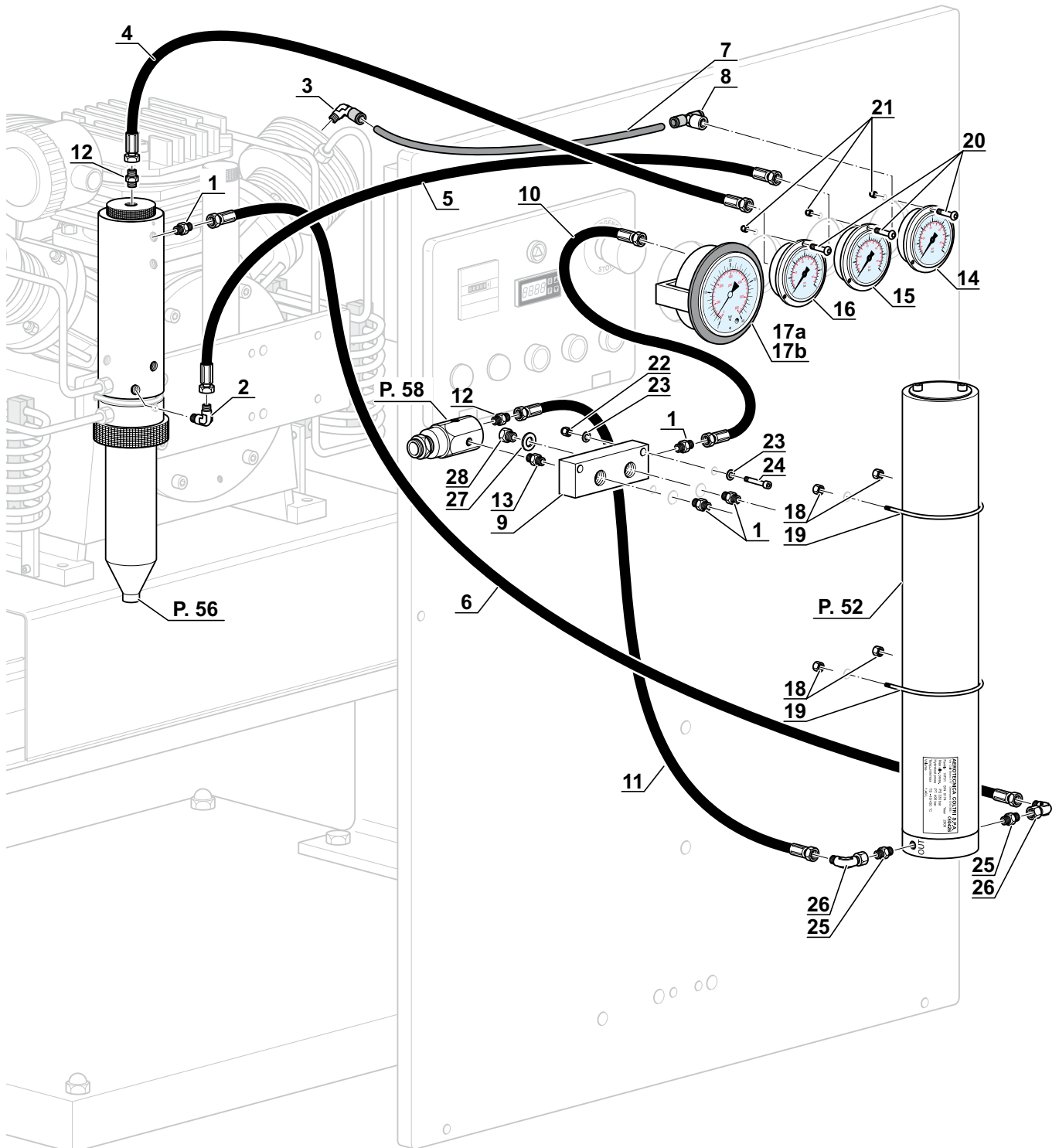
CIRCUITO DI FILTRAZIONE - FILTERING CIRCUIT
 Mod: Tech Tropical - Tech Tropical Plus



CIRCUITO DI FILTRAZIONE - FILTERING CIRCUIT
Mod: Super Silent Evo Tropical - Super Silent Evo Tropical Plus

Rif. Pos.	Q.tà Q.ty	Codice Code	Descrizione	Description
1	7	13-00-0174	Racc. 1/8 NPT 7/16 Tubo 6 mm	STRAIGHT 1/8 PIPE FITTING 6
2	1	13-00-0144	RACCORDO 90° 1/8 - 7/16 TUBO 6mm	FITTING 90° 1/8 - TUBO 6mm
3	1	RACC/E2L31C08	RACC. L MASCHIO GIREVOLE CONICO E2L31C08 1/8 M TUBO 6	TURNING FITTING 1/8M TUBE6
4	1	13-04-0213	MICROTUBO 1/4-7/16 400mm	MICRO-HOSE 1/4-7/16 400mm MANOMETER HOLDER
5	1	36-05-00200	MICROTUBO 1/4-7/16 800mm	MICRO-HOSE 1/4-7/16 800mm MANOMETER HOLDER
6	1	13-04-0327/AIR	TUBO HP 700mm AIR	HP 700mm AIR HOSE
7	1	T-RLS-6X4/N-500	TUBO RILSAN NERO 60°C 500mm	BLACK RILSAN HOSE 60°C 500mm
8	1	RACC/E2L35F08	RACC. T FEMMINA GIREVOLE E2L35F08 1/4 F TUBO 6	T FITTING 1/4 F TUBE 6
9	1	13-04-0217	BLOCCETTO ALLUMINIO RAMPA DI RICARICA	RECHARGE ALUMINIUM BLOCK
10	1	36-05-00240	MICROTUBO 1/4-7/16 L.300 mm	MICRO-HOSE 1/4-7/16 300mm MANOMETER HOLDER
11	1	13-04-0284/AIR	TUBO HP 600mm AIR	HP 600mm AIR TUBE
12	1	13-00-0025	RACCORDO 1/4 NPT -TUBO 6mm DIRITTO 7/16	STRAIGHT FITTING 1/4 TUBE 6MM 7/16
13	1	13-04-0520	RACCORDO 1/4 GAS - 1/8 NPT F.	FITTING 1/4 GAS - 1/8 NPT F.
14	1	13-05-0120	MAN.0-16 BAR/PSI CON FLANGIA	FLANGED PRESSURE GAUGE 0-16 BAR/PSI
15	1	13-05-0130	MAN.0-100 BAR/PSI CON FLANGIA	FLANGED PRESSURE GAUGE 0-100 BAR/PSI
16	1	13-04-0211	MANOMETRO 0-400BAR CON FLANGIA	0-400BAR W/FLANGE PRESSURE GAUGE
17a	1	SC000310	PRESSOSTATO CON MICRO 280 BAR	PRESSURE SWITCH MICRO 280 BAR
17b	1	SC000315	PRESSOSTATO CON MICRO 330BAR	PRESSURE SWITCH MICRO 330BAR
18	4	13-00-0101	DADO ZINCATO AUTOBLOC. M8 ALTO	8MM SELF-LOCKING NUT
19	2	SC000537	CAVALLOTTO PER PRESEC	HOLDING BRACKET PRESEC
20	9	36-07-006	VITE TCEI M3x10 INOX MCH36	SCREW TCEI M3x10 INOX MCH36
21	9	DA0031	DADO INOX AUTOBLOC. M3	SELF LOCKING NUT M3 INOX
22	2	13-00-0137	DADO ZINCATO AUTOBLOC. M6 ALTO	SELF LOCKING NUT M6 HIGH
23	4	RON6I	RONDELLA PIANA M6 INOX DIN125	FLAT WASHER M6 INOX DIN125
24	2	VITE0645I	VITE T.C.E. INOX 6x45	SCREW T.C.E. INOX 6x45
25	2	S230-06-17G	RACCORDO DIRITTO FIL.TERM.MAS. 3/8 GAS TUBO 6 7/16	STRAIGHT FITTING 3/8 GAS TUBE 6 7/16
26	2	S675-06LG	RACCORDO M-F GIREVOLE 7/16	M-F 7/16 TURNING FITTING
27	1	RON10I	RONDELLA PIANA M10 INOX DIN125	FLAT WASHER M10 INOX DIN125
28	1	13-00-0139	TAPPO 1/8 NPT CIECO	PLUG 1/8 NPT

CIRCUITO DI FILTRAZIONE - FILTERING CIRCUIT
Mod: Super Silent Evo Tropical - Super Silent Evo Tropical Plus

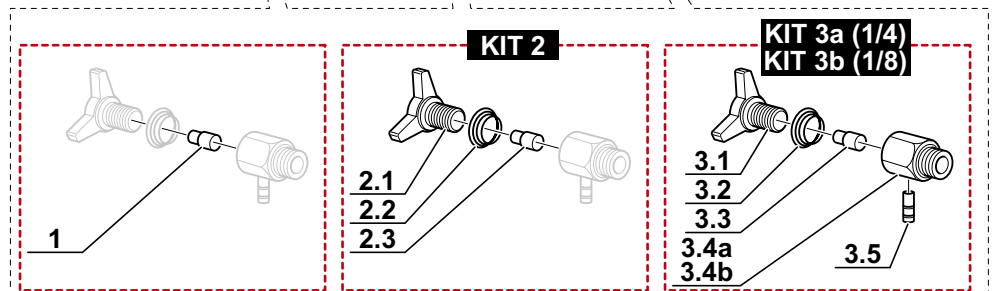
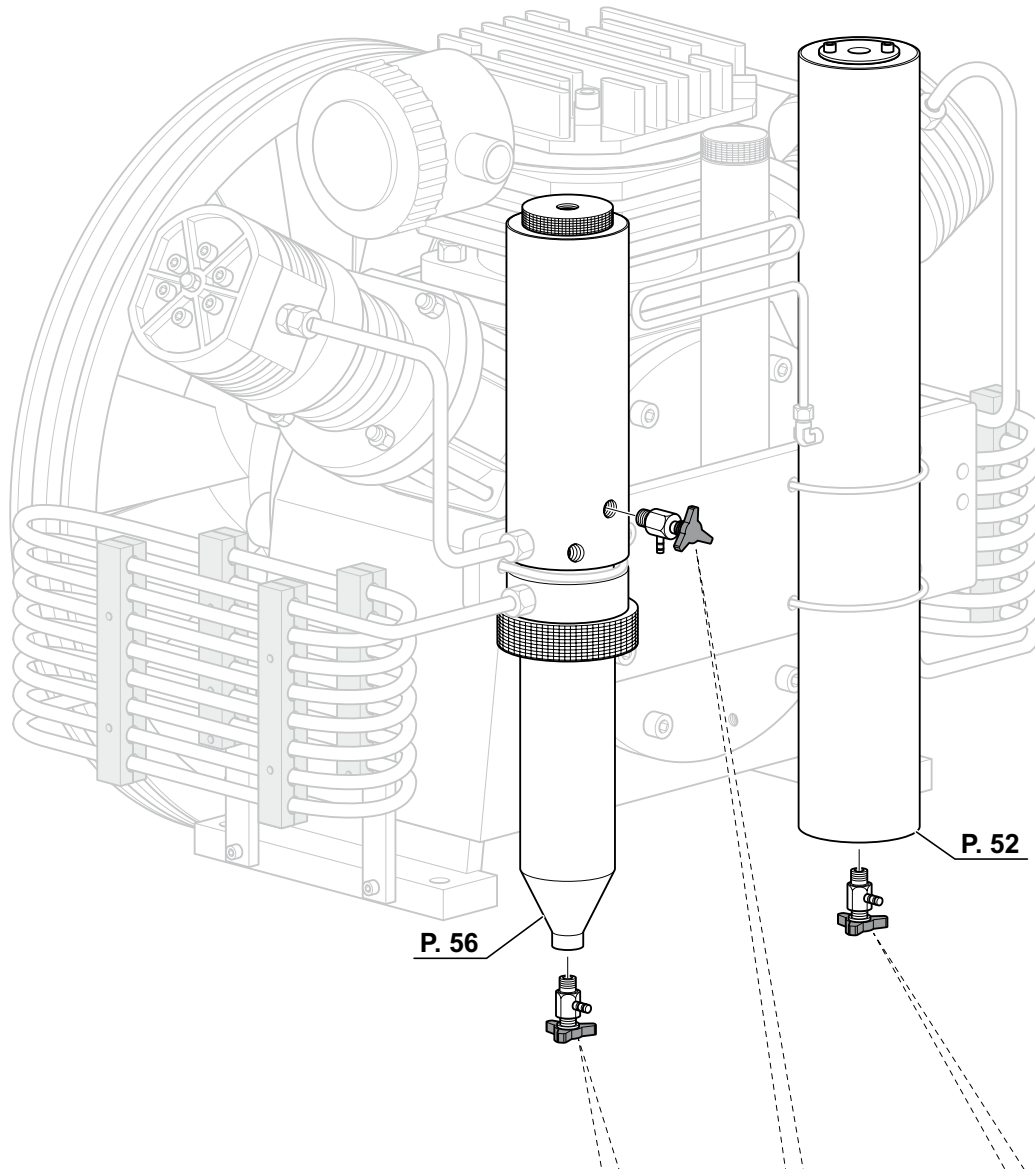


SCARICO CONDENSA - CONDENSATE DISCHARGE

Mod: Standard - Tech - MiniTech

Rif. Pos.	Q.tà Q.ty	Codice Code	Descrizione	Description
1	1	13-00-0162	NYLON SCARICO CONDENSA	CONDENSATE DISCHARGE NYLON
KIT2	1	13-00-0164/R	KIT VOLANTINO RUBINETTO SCARICO CONDENSA	CONDENSATE DISCHARGE WHEEL VALVE KIT
KIT 2	2.1	13-00-0164	VOLANTINO SCARICO CONDENSA	CONDENSATE DISCHARGE WHEEL
	2.2	13-00-0163	MOLLA SCARICO CONDENSA	CONDENSATE DISCHARGE SPRING
	2.3	13-00-0162	NYLON SCARICO CONDENSA	CONDENSATE DISCHARGE NYLON
KIT3a	1	13-00-0161-1/4G/R	KIT RUBINETTO SCARICO CONDENSA 1/4	CONDENSATE DISCHARGE BODY VALVE 1/4 KIT
KIT 3a	3.1	13-00-0164	VOLANTINO SCARICO CONDENSA	CONDENSATE DISCHARGE WHEEL
	3.2	13-00-0163	MOLLA SCARICO CONDENSA	CONDENSATE DISCHARGE SPRING
	3.3	13-00-0162	NYLON SCARICO CONDENSA	CONDENSATE DISCHARGE NYLON
	3.4a	13-00-0161-1/4G	CORPO RUBINETTO SCARICO CONDENSA 1/4 GAS	CONDENSATE DISCHARGE BODY VALVE 1/4
	3.5	6-05-004F	BECCUCCIO RUBIN.SCARICO COND.	DRAIN VALVE PIN
KIT3b	1	13-00-0161/R	KIT RUBINETTO SCARICO CONDENSA 1/8 NPT	CONDENSATE DISCHARGE BODY VALVE1/8 NPT KIT
KIT 3b	3.1	13-00-0164	VOLANTINO SCARICO CONDENSA	CONDENSATE DISCHARGE WHEEL
	3.2	13-00-0163	MOLLA SCARICO CONDENSA	CONDENSATE DISCHARGE SPRING
	3.3	13-00-0162	NYLON SCARICO CONDENSA	CONDENSATE DISCHARGE NYLON
	3.4b	13-00-0161	CORPO RUBINETTO SCARICO CONDENSA 1/8 NPT	CONDENSATE DISCHARGE BODY VALVE1/8 NPT
	3.5	6-05-004F	BECCUCCIO RUBIN.SCARICO COND.	DRAIN VALVE PIN

SCARICO CONDENSA - CONDENSATE DISCHARGE
 Mod: Standard - Tech - MiniTech

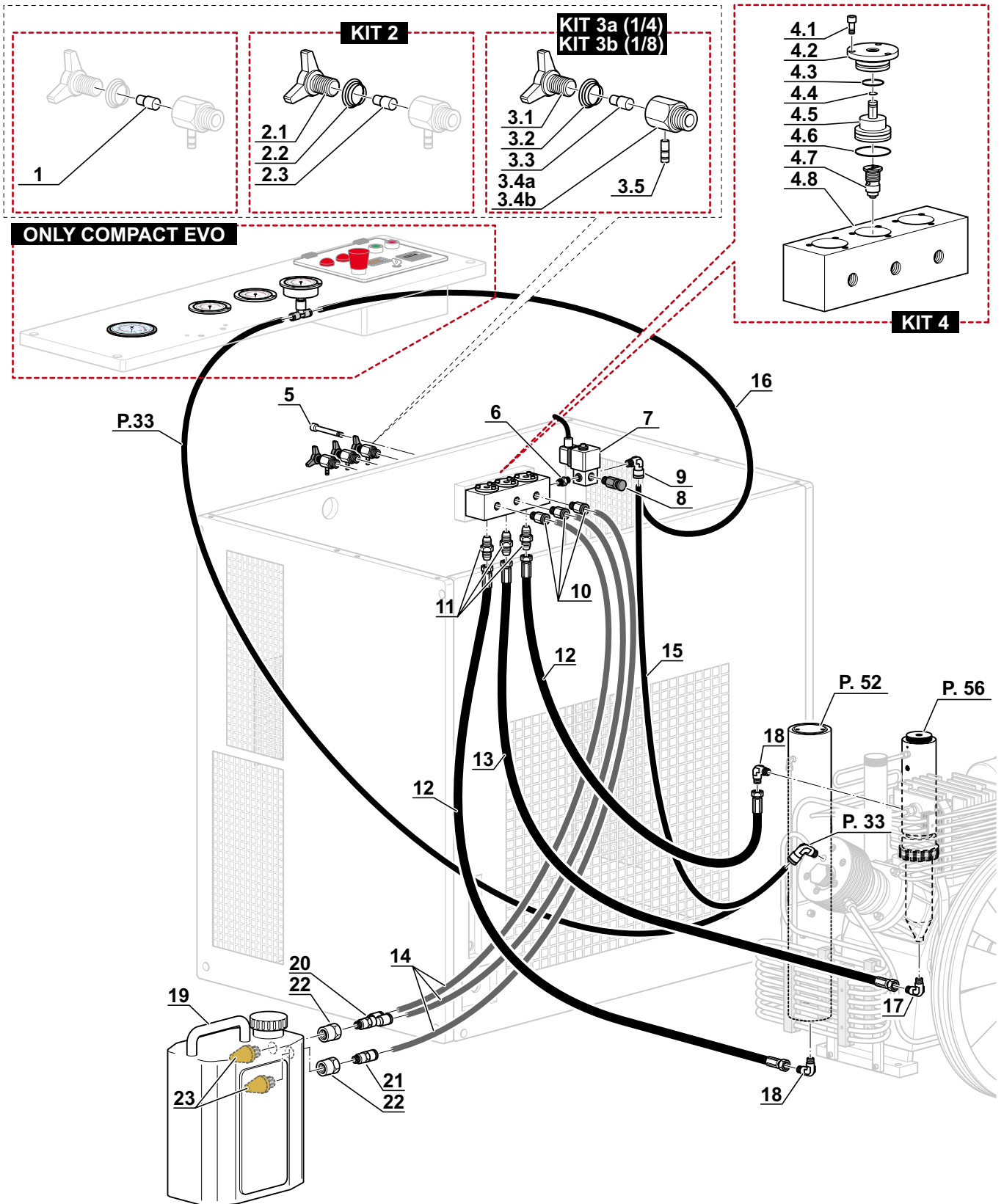


SCARICO CONDENSA - CONDENSATE DISCHARGE

Mod: Compact - Compact M - Compact Evo

Rif. Pos.	Q.tà Q.ty	Codice Code	Descrizione	Description
1	1	13-00-0162	NYLON SCARICO CONDENSA	CONDENSATE DISCHARGE NYLON
KIT 2	1	13-00-0164/R	KIT VOLANTINO RUBINETTO SCARICO CONDENSA	CONDENSATE DISCHARGE WHEEL VALVE KIT
2.1	1	13-00-0164	VOLANTINO SCARICO CONDENSA	CONDENSATE DISCHARGE WHEEL
2.2	1	13-00-0163	MOLLA SCARICO CONDENSA	CONDENSATE DISCHARGE SPRING
2.3	1	13-00-0162	NYLON SCARICO CONDENSA	CONDENSATE DISCHARGE NYLON
KIT 3a	1	13-00-0161-1/4G/R	KIT RUBINETTO SCARICO CONDENSA 1/4	CONDENSATE DISCHARGE BODY VALVE 1/4 KIT
3.1	1	13-00-0164	VOLANTINO SCARICO CONDENSA	CONDENSATE DISCHARGE WHEEL
3.2	1	13-00-0163	MOLLA SCARICO CONDENSA	CONDENSATE DISCHARGE SPRING
3.3	1	13-00-0162	NYLON SCARICO CONDENSA	CONDENSATE DISCHARGE NYLON
3.4a	1	13-00-0161-1/4G	CORPO RUBINETTO SCARICO CONDENSA 1/4 GAS	CONDENSATE DISCHARGE BODY VALVE 1/4
3.5	1	6-05-004F	BECCUCCIO RUBIN.SCARICO COND.	DRAIN VALVE PIN
KIT 3b	1	13-00-0161/R	KIT RUBINETTO SCARICO CONDENSA 1/8 NPT	CONDENSATE DISCHARGE BODY VALVE1/8 NPT KIT
3.1	1	13-00-0164	VOLANTINO SCARICO CONDENSA	CONDENSATE DISCHARGE WHEEL
3.2	1	13-00-0163	MOLLA SCARICO CONDENSA	CONDENSATE DISCHARGE SPRING
3.3	1	13-00-0162	NYLON SCARICO CONDENSA	CONDENSATE DISCHARGE NYLON
3.4b	1	13-00-0161	CORPO RUBINETTO SCARICO CONDENSA 1/8 NPT	CONDENSATE DISCHARGE BODY VALVE1/8 NPT
3.5	1	6-05-004F	BECCUCCIO RUBIN.SCARICO COND.	DRAIN VALVE PIN
KIT 4	1	13-00-0505/N/R	KIT BLOCCETTO VALVOLA SCARICO CONDENSA	CONDENSATE DISCHARGE VALVE
4.1	12	36-07-070	VITE TCEIZN M5x10-8.8 MCH36	SCREW TCEIZN M5x10-8.8 MCH36
4.2	3	13-00-0506	COPERCHIO CORPO VALVOLA SCAR.	CONDENSATE DISCHARGE BODY VALVE CAP
4.3	3	OR-2118	O RING 2118 70-75 SH (29.87x1.78)	O RING 2118 70-75 SH (29.87x1.78)
4.4	3	OR-2018	O RING 2018 70-75 SH (4,48x1,78)	O RING 2018 70-75 SH (4,48x1,78)
4.5	3	13-00-0507/A	PISTONE CIECO VALV. SCAR.CONDENSA 3 VIE	CONDENSATE DISCHARGE VALVE PISTON
4.6	3	OR-2100	O RING 2100 NBR 70SH	O RING 2100 NBR 70SH
4.7	3	SC000337/C/R	RACC. CORPO INPUT RIDUTT. DI PRESS. 300/200 BAR	PRESSURE REDUCER BODY INPUT 300/200BAR
4.8	1	13-00-0505/N	CORPO VALVOLA SCARICO CONDENSA 3 VIE MCH13/16 50X60	CONDENSATE DISCHARGE BODY VALVE MCH13-16
5	1	VITE0645I	VITE T.C.E. INOX 6x45	SCREW T.C.E. INOX 6x45
6	1	13-00-0142	RACC. DIRITTO M 1/8 NPT - M 1/8 NPT	STRAIGHT FITTING M 1/8 NPT - M 1/8 NPT
7	1	13-04-0221	ELETR. LP SCARICO COND. 2 VIE NC 1/4" NBR D.2 V.220/50-60	LP SOLENOID VALVE
8	1	13-03-0179	VALVOLA SICUREZZA 2° STADIO	2ND STAGE SAFETY VALVE
9	1	RACC/E2L31C08	RACC. L MASCHIO GIREVOLE CONICO E2L31C08 1/8 M TUBO 6	TURNING FITTING 1/8M TUBE6
10	3	RACC/E2001007W	RACC. DIRITTO CILINDRICO MASCHIO CON OR 1/8 E2001007W	1/8 E2001007W FITTING WITH OR
11	3	13-00-0174	Racc. 1/8 NPT 7/16 Tubo 6 mm	STRAIGHT 1/8 PIPE FITTING 6
12	2	13-04-0285/AIR	TUBO HP R8 800mm AIR	HP R8 800mm AIR HOSE
13	1	13-04-0284/AIR	TUBO HP 600mm AIR	HP 600mm AIR HOSE
14	3	T-RLS-6X4-1000	TUBO RILSAN 6x4 1000mm	RILSAN HOSE 6X4 1000mm
15	1	T-RLS-6X4/N-600	TUBO RILSAN NERO 60°C 600mm	BLACK RILSAN HOSE 60°C 600mm
16	1	T-RLS-6X4/N-900	TUBO RILSAN NERO 60°C 900mm	BLACK RILSAN HOSE 60°C 900mm
17	1	36-07-008	RACCORDO 90° 1/4NPT - 7/16	FITTING 90° 1/4NPT - 7/16
18	2	13-00-0144	RACCORDO 90° 1/8 - 7/16 TUBO 6mm	FITTING 90° 1/8 - TUBO 6mm
19	1	TAN/80/5-2L	TANICA SC 51 2 FORI 18mm LATERALI	SC TANK 51 2HOLE 18mm SIDE
20	1	RACC/R2L26006Y	RACCORDO E2L26006 Y MASCHIO TECNOPOLIMERO 2 X TUBO 6 1 1/8G	FITTING E2L26006 Y 2 X TUBE RILSAN6mm 1 1/8G
21	1	RACC/E2L01007	RACC. DIRITTO CILINDRICO MASCHIO CON OR E2L01007 1/8M TUBO 6	FITTING WITH OR E2L01007 1/8M TUBE 6
22	1	RACC25531/83/8	RACCORDO 2553 1/8 3/8	2553 1/8 3/8 FITTING
23	1	SILENZ/2931	SILENZIATORE 2931 3/8 F	2931 3/8 F SILENCER

SCARICO CONDENSA - CONDENSATE DISCHARGE
 Mod: Compact - Compact M - Compact Evo

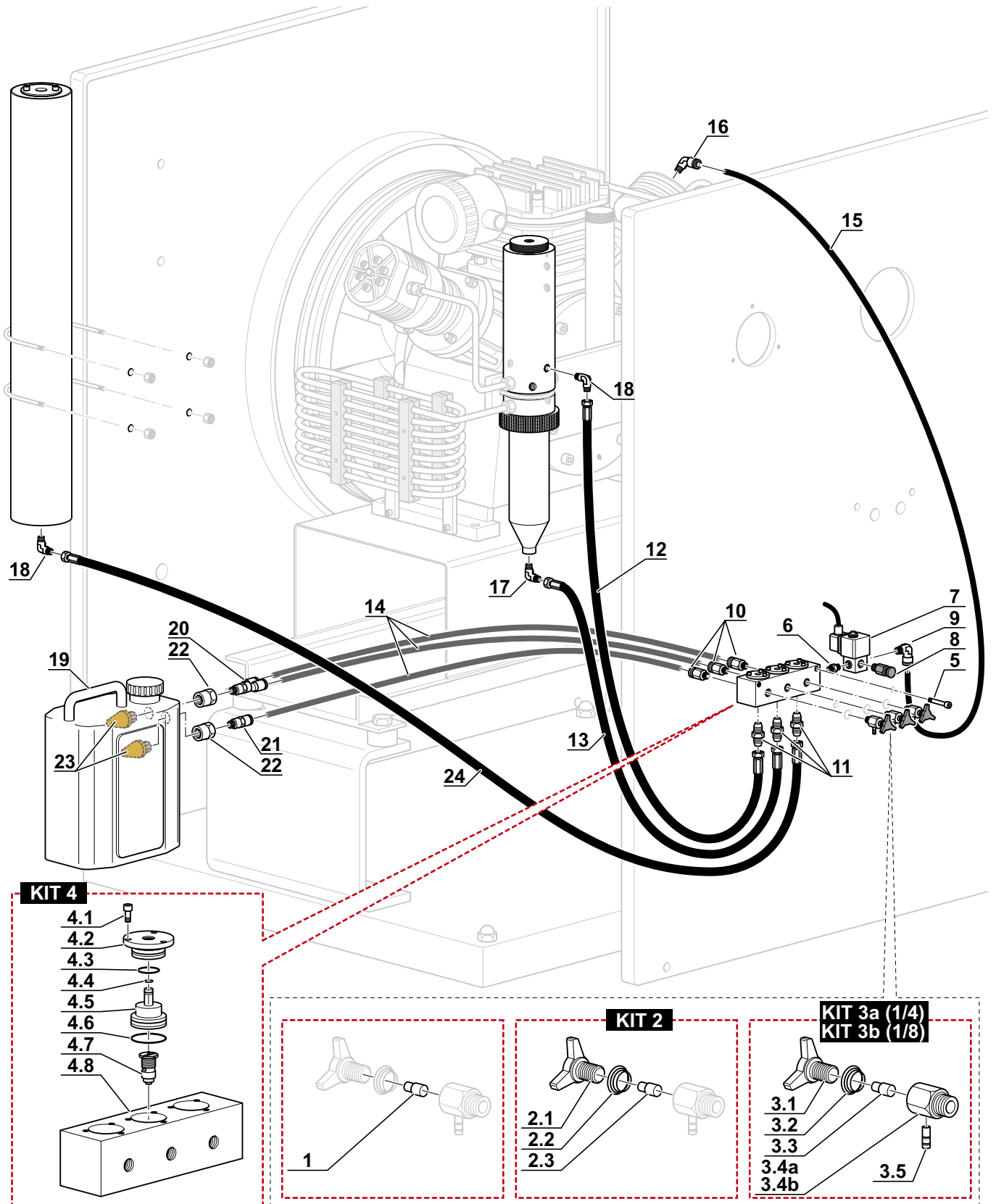


SCARICO CONDENSA - CONDENSATE DISCHARGE

Mod: Mini Silent

Rif. Pos.	Q.tà Q.ty	Codice Code	Descrizione	Description
1	1	13-00-0162	NYLON SCARICO CONDENSA	CONDENSATE DISCHARGE NYLON
KIT2	1	13-00-0164/R	KIT VOLANTINO RUBINETTO SCARICO CONDENSA	CONDENSATE DISCHARGE WHEEL VALVE KIT
2.1	1	13-00-0164	VOLANTINO SCARICO CONDENSA	CONDENSATE DISCHARGE WHEEL
2.2	1	13-00-0163	MOLLA SCARICO CONDENSA	CONDENSATE DISCHARGE SPRING
2.3	1	13-00-0162	NYLON SCARICO CONDENSA	CONDENSATE DISCHARGE NYLON
KIT3a	1	13-00-0161-1/4G/R	KIT RUBINETTO SCARICO CONDENSA 1/4	CONDENSATE DISCHARGE BODY VALVE 1/4 KIT
3.1	1	13-00-0164	VOLANTINO SCARICO CONDENSA	CONDENSATE DISCHARGE WHEEL
3.2	1	13-00-0163	MOLLA SCARICO CONDENSA	CONDENSATE DISCHARGE SPRING
3.3	1	13-00-0162	NYLON SCARICO CONDENSA	CONDENSATE DISCHARGE NYLON
3.4a	1	13-00-0161-1/4G	CORPO RUBINETTO SCARICO CONDENSA 1/4 GAS	CONDENSATE DISCHARGE BODY VALVE 1/4
3.5	1	6-05-004F	BECCUCCIO RUBIN.SCARICO COND.	DRAIN VALVE PIN
KIT3b	1	13-00-0161/R	KIT RUBINETTO SCARICO CONDENSA 1/8 NPT	CONDENSATE DISCHARGE BODY VALVE1/8 NPT KIT
3.1	1	13-00-0164	VOLANTINO SCARICO CONDENSA	CONDENSATE DISCHARGE WHEEL
3.2	1	13-00-0163	MOLLA SCARICO CONDENSA	CONDENSATE DISCHARGE SPRING
3.3	1	13-00-0162	NYLON SCARICO CONDENSA	CONDENSATE DISCHARGE NYLON
3.4b	1	13-00-0161	CORPO RUBINETTO SCARICO CONDENSA 1/8 NPT	CONDENSATE DISCHARGE BODY VALVE1/8 NPT
3.5	1	6-05-004F	BECCUCCIO RUBIN.SCARICO COND.	DRAIN VALVE PIN
KIT4	1	13-00-0505/N/R	KIT BLOCCETTO VALVOLA SCARICO CONDENSA	CONDENSATE DISCHARGE VALVE
4.1	12	36-07-070	VITE TCEIZN M5x10-8.8 MCH36	SCREW TCEIZN M5x10-8.8 MCH36
4.2	3	13-00-0506	COPERCHIO CORPO VALVOLA SCAR.	CONDENSATE DISCHARGE BODY VALVE CAP
4.3	3	OR-2118	O RING 2118 70-75 SH (29.87x1.78)	O RING 2118 70-75 SH (29.87x1.78)
4.4	3	OR-2018	O RING 2018 70-75 SH (4,48x1,78)	O RING 2018 70-75 SH (4,48x1,78)
4.5	3	13-00-0507/A	PISTONE CIECO VALV. SCAR.CONDENSA 3 VIE	CONDENSATE DISCHARGE VALVE PISTON
4.6	3	OR-2100	O RING 2100 NBR 70SH	O RING 2100 NBR 70SH
4.7	3	SC000337/C/R	RACC. CORPO INPUT RIDUTT. DI PRESS. 300/200 BAR	PRESSURE REDUCER BODY INPUT 300/200BAR
4.8	1	13-00-0505/N	CORPO VALVOLA SCARICO CONDENSA 3 VIE MCH13/16 50X60	CONDENSATE DISCHARGE BODY VALVE MCH13-16
5	1	VITE0645I	VITE T.C.E. INOX 6x45	SCREW T.C.E. INOX 6x45
6	1	13-00-0142	RACC. DIRITTO M 1/8 NPT - M 1/8 NPT	STRAIGHT FITTING M 1/8 NPT - M 1/8 NPT
7	1	13-04-0221	ELETR. LP SCARICO COND. 2 VIE NC 1/4" NBR D.2 V.220/50-60	LP SOLENOID VALVE
8	1	13-03-0179	VALVOLA SICUREZZA 2° STADIO	2ND STAGE SAFETY VALVE
9	1	RACC/E2L31C08	RACC. L MASCHIO GIREVOLE CONICO E2L31C08 1/8 M TUBO 6	TURNING FITTING 1/8M TUBE6
10	3	RACC/E2001007W	RACC. DIRITTO CILINDRICO MASCHIO CON OR 1/8 E2001007W	1/8 E2001007W FITTING WITH OR
11	3	13-00-0174	Racc. 1/8 NPT 7/16 Tubo 6 mm	STRAIGHT 1/8 PIPE FITTING 6
12	2	13-04-0284/AIR	TUBO HP 600mm AIR	HP 600mm AIR TUBE
13	1	13-04-0322/AIR	TUBO HP 500mm AIR	HP 500mm AIR HOSE
14	3	T-RLS-6X4-500	TUBO RILSAN 6x4 500mm	RILSAN HOSE 6X4 500mm
15	1	T-RLS-6X4/N-500	TUBO RILSAN NERO 60°C 500mm	BLACK RILSAN HOSE 60°C 500mm
16	1	RACC/E2006009W	RACC. L MASCHIO GIREVOLE CON OR E2006009W 1/8 TUBO 8	TURNING FITTING 90° WITH OR E2006009W 1/8 TUBE 8
17	1	36-07-008	RACCORDO 90° 1/4NPT - 7/16	FITTING 90° 1/4NPT - 7/16
18	2	13-00-0144	RACCORDO 90° 1/8 - 7/16 TUBO 6mm	FITTING 90° 1/8 - TUBO 6mm
19	1	TAN/80/5-2L	TANICA SC 51 2 FORI 18mm LATERALI	SC TANK 51 2HOLE 18mm SIDE
20	1	RACC/R2L26006Y	RACCORDO E2L26006 Y MASCHIO TECNOPOLIMERO 2 X TUBO 6 1 1/8G	FITTING E2L26006 Y 2 X TUBE RILSAN6mm 1 1/8G
21	1	RACC/E2L01007	RACC. DIRITTO CILINDRICO MASCHIO CON OR E2L01007 1/8M TUBO 6	FITTING WITH OR E2L01007 1/8M TUBE 6
22	1	RACC25531/83/8	RACCORDO 2553 1/8 3/8	2553 1/8 3/8 FITTING
23	1	SILENZ/2931	SILENZIATORE 2931 3/8 F	2931 3/8 F SILENCER
24	1	13-04-0327/AIR	TUBO HP 700mm AIR	HP 700mm AIR HOSE

SCARICO CONDENSA - CONDENSATE DISCHARGE
Mod: Mini Silent

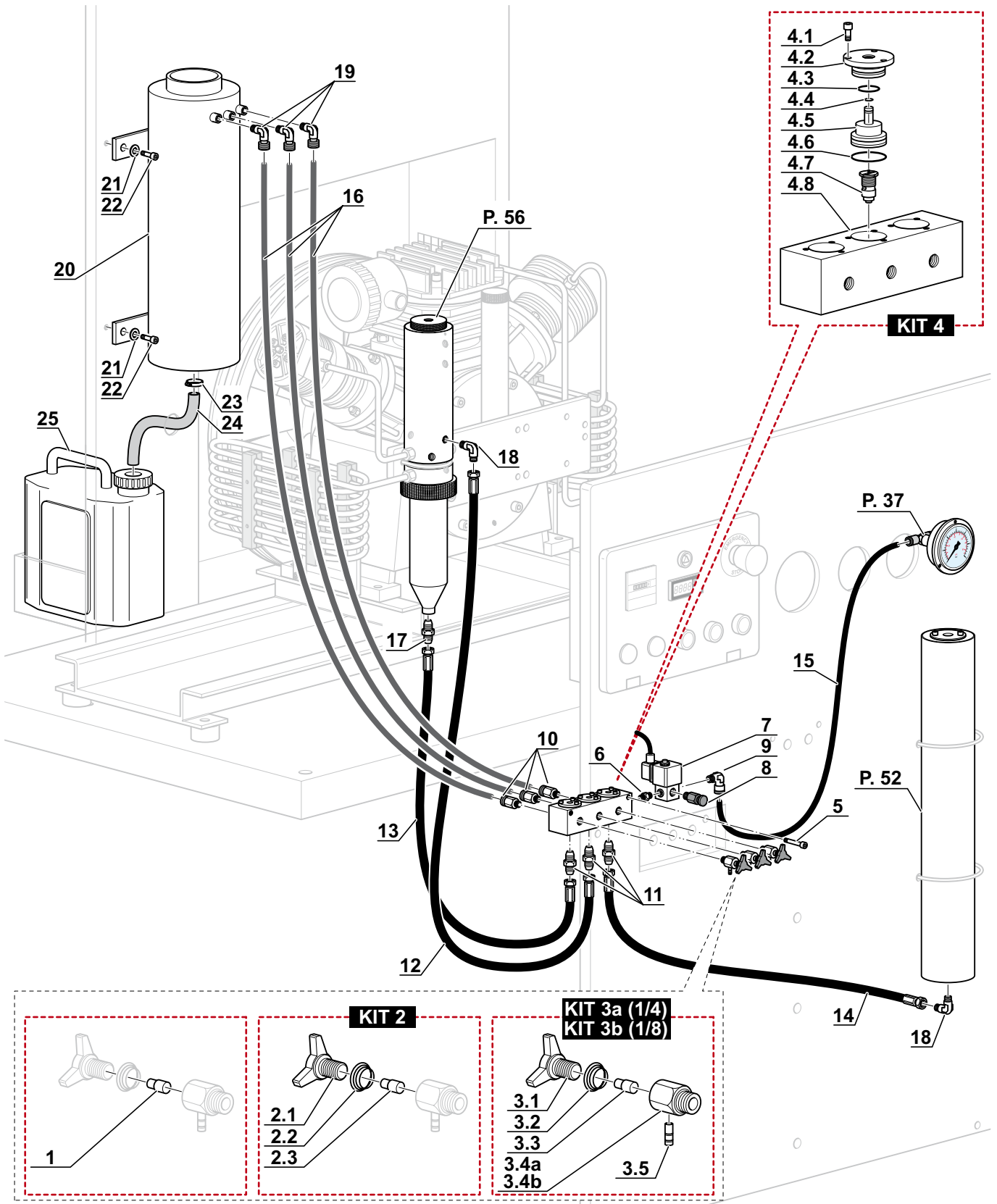


SCARICO CONDENZA - CONDENSATE DISCHARGE

Mod: Super Silent Evo

Rif. Pos.	Q.tà Q.ty	Codice Code	Descrizione	Description
1	1	13-00-0162	NYLON SCARICO CONDENZA	CONDENSATE DISCHARGE NYLON
KIT2	1	13-00-0164/R	KIT VOLANTINO RUBINETTO SCARICO CONDENZA	CONDENSATE DISCHARGE WHEEL VALVE KIT
2.1	1	13-00-0164	VOLANTINO SCARICO CONDENZA	CONDENSATE DISCHARGE WHEEL
2.2	1	13-00-0163	MOLLA SCARICO CONDENZA	CONDENSATE DISCHARGE SPRING
2.3	1	13-00-0162	NYLON SCARICO CONDENZA	CONDENSATE DISCHARGE NYLON
KIT3a	1	13-00-0161-1/4G/R	KIT RUBINETTO SCARICO CONDENZA 1/4	CONDENSATE DISCHARGE BODY VALVE 1/4 KIT
3.1	1	13-00-0164	VOLANTINO SCARICO CONDENZA	CONDENSATE DISCHARGE WHEEL
3.2	1	13-00-0163	MOLLA SCARICO CONDENZA	CONDENSATE DISCHARGE SPRING
3.3	1	13-00-0162	NYLON SCARICO CONDENZA	CONDENSATE DISCHARGE NYLON
3.4a	1	13-00-0161-1/4G	CORPO RUBINETTO SCARICO CONDENZA 1/4 GAS	CONDENSATE DISCHARGE BODY VALVE 1/4
3.5	1	6-05-004F	BECCUCCIO RUBIN.SCARICO COND.	DRAIN VALVE PIN
KIT3b	1	13-00-0161/R	KIT RUBINETTO SCARICO CONDENZA 1/8 NPT	CONDENSATE DISCHARGE BODY VALVE1/8 NPT KIT
3.1	1	13-00-0164	VOLANTINO SCARICO CONDENZA	CONDENSATE DISCHARGE WHEEL
3.2	1	13-00-0163	MOLLA SCARICO CONDENZA	CONDENSATE DISCHARGE SPRING
3.3	1	13-00-0162	NYLON SCARICO CONDENZA	CONDENSATE DISCHARGE NYLON
3.4b	1	13-00-0161	CORPO RUBINETTO SCARICO CONDENZA 1/8 NPT	CONDENSATE DISCHARGE BODY VALVE1/8 NPT
3.5	1	6-05-004F	BECCUCCIO RUBIN.SCARICO COND.	DRAIN VALVE PIN
KIT4	1	13-00-0505/N/R	KIT BLOCCETTO VALVOLA SCARICO CONDENZA	CONDENSATE DISCHARGE VALVE
4.1	12	36-07-070	VITE TCEIZN M5x10-8.8 MCH36	SCREW TCEIZN M5x10-8.8 MCH36
4.2	3	13-00-0506	COPERCHIO CORPO VALVOLA SCAR.	CONDENSATE DISCHARGE BODY VALVE CAP
4.3	3	OR-2118	O RING 2118 70-75 SH (29.87x1.78)	O RING 2118 70-75 SH (29.87x1.78)
4.4	3	OR-2018	O RING 2018 70-75 SH (4,48X1,78)	O RING 2018 70-75 SH (4,48X1,78)
4.5	3	13-00-0507/A	PISTONE CIECO VALV. SCAR.CONDENZA 3 VIE	CONDENSATE DISCHARGE VALVE PISTON
4.6	3	OR-2100	O RING 2100 NBR 70SH	O RING 2100 NBR 70SH
4.7	3	SC000337/C/R	RACC. CORPO INPUT RIDUTT. DI PRESS. 300/200 BAR	PRESSURE REDUCER BODY INPUT 300/200BAR
4.8	1	13-00-0505/N	CORPO VALVOLA SCARICO CONDENZA 3 VIE MCH13/16 50X60	CONDENSATE DISCHARGE BODY VALVE MCH13-16
5	1	VITE0645I	VITE T.C.E. INOX 6x45	SCREW T.C.E. INOX 6x45
6	1	13-00-0142	RACC. DIRITTO M 1/8 NPT - M 1/8 NPT	STRAIGHT FITTING M 1/8 NPT - M 1/8 NPT
7	1	13-04-0221	ELETR. LP SCARICO COND. 2 VIE NC 1/4" NBR D.2 V.220/50-60	LP SOLENOID VALVE
8	1	13-03-0179	VALVOLA SICUREZZA 2° STADIO	2ND STAGE SAFETY VALVE
9	1	RACC/E2L31C08	RACC. L MASCHIO GIREVOLE CONICO E2L31C08 1/8 M TUBO 6	TURNING FITTING 1/8M TUBE6
10	3	RACC/E2001007W	RACC. DIRITTO CILINDRICO MASCHIO CON OR 1/8 E2001007W	1/8 E2001007W FITTING WITH OR
11	3	13-00-0174	Racc. 1/8 NPT 7/16 Tubo 6 mm	STRAIGHT 1/8 PIPE FITTING 6
12	2	13-04-0284/AIR	TUBO HP 600mm AIR	HP 600mm AIR HOSE
13	1	13-04-0322/AIR	TUBO HP 500mm AIR	HP 500mm AIR HOSE
14	3	13-04-0199/AIR	TUBO HP R8 900mm AIR	HP R8 900mm AIR HOSE
15	1	T-RLS-6X4/N-1000	TUBO RILSAN NERO 60°C 1000mm	BLACK RILSAN HOSE 60°C 1000mm
16	3	T-RLS-6X4-800	TUBO RILSAN 6x4 800mm	RILSAN HOSE 6X4 800mm
17	1	13-00-0025	RACCORDO 1/4 NPT -TUBO 6mm DIRITTO 7/16	STRAIGHT FITTING 1/4 TUBE 6MM 7/16
18	2	13-00-0144	RACCORDO 90° 1/8 - 7/16 TUBO 6mm	FITTING 90° 1/8 - TUBO 6mm
19	1	RACC/E2005007W	RACC. L MASCHIO GIREVOLE E2005007W 1/8 TUBO 6	E2005007W 1/8 TUBE 6 TURNING FITTING
20	1	13-07-074	SERBATOIO SCARICO CONDENZA Mod.SILENT	CONDENSATE DISCHARGE TANK Mod.SILENT
21	4	RON6Z	RONDELLA PIANA ZINC. M6	PLAIN WASHER ZINC. M6 DIN 125A
22	4	VITE0620	VITE T.C.E. ZINC. 6x20 DIN912	SCREW T.C.E. ZINC. 6X20 DIN912
23	1	FASC/3B/17/29	FASCETTA STRING. 3B D.17/29	CLAMP 3B D.17/29
24	1	T-SP-16X23-750	TUBO SPIRALATO PER ALIMENTI 16X23 L=750	FOOD SPIRAL HOSE 16X23 L=750
25	1	TAN/80/5-1T	TANICA SC 51 1 FORO 25mm SU TAPPO	SC TANK 51 1HOLE 25mm PLUG

SCARICO CONDENSA - CONDENSATE DISCHARGE
 Mod: Super Silent Evo

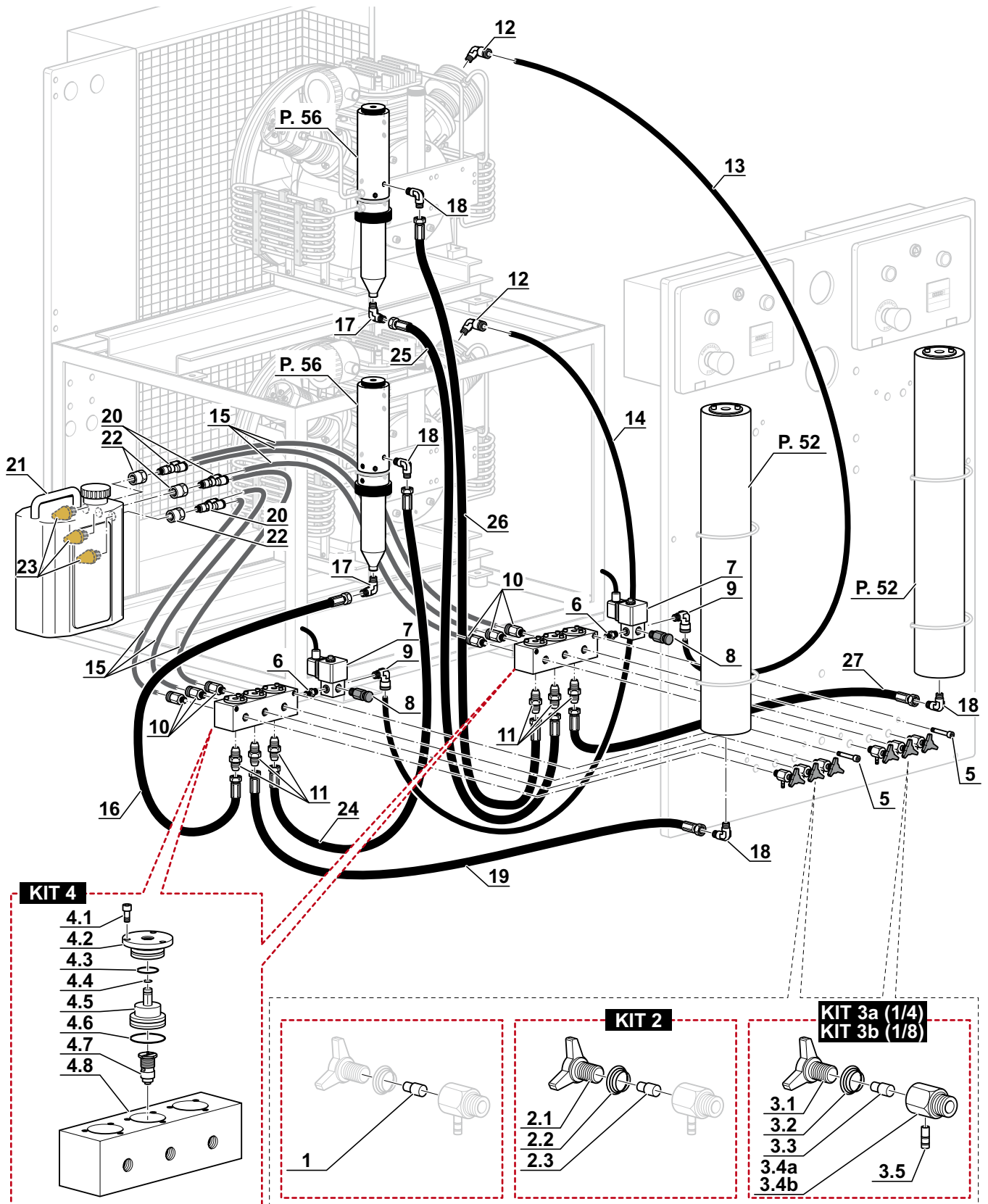


SCARICO CONDENSA - CONDENSATE DISCHARGE

Mod: MCH26-32/ET Compact

Rif. Pos.	Q.tà Q.ty	Codice Code	Descrizione	Description
1	1	13-00-0162	NYLON SCARICO CONDENSA	CONDENSATE DISCHARGE NYLON
KIT 2	1	13-00-0164/R	KIT VOLANTINO RUBINETTO SCARICO CONDENSA	CONDENSATE DISCHARGE WHEEL VALVE KIT
2.1	1	13-00-0164	VOLANTINO SCARICO CONDENSA	CONDENSATE DISCHARGE WHEEL
2.2	1	13-00-0163	MOLLA SCARICO CONDENSA	CONDENSATE DISCHARGE SPRING
2.3	1	13-00-0162	NYLON SCARICO CONDENSA	CONDENSATE DISCHARGE NYLON
KIT 3a	1	13-00-0161-1/4G/R	KIT RUBINETTO SCARICO CONDENSA 1/4	CONDENSATE DISCHARGE BODY VALVE 1/4 KIT
3.1	1	13-00-0164	VOLANTINO SCARICO CONDENSA	CONDENSATE DISCHARGE WHEEL
3.2	1	13-00-0163	MOLLA SCARICO CONDENSA	CONDENSATE DISCHARGE SPRING
3.3	1	13-00-0162	NYLON SCARICO CONDENSA	CONDENSATE DISCHARGE NYLON
3.4a	1	13-00-0161-1/4G	CORPO RUBINETTO SCARICO CONDENSA 1/4 GAS	CONDENSATE DISCHARGE BODY VALVE 1/4
3.5	1	6-05-004F	BECCUCCIO RUBIN.SCARICO COND.	DRAIN VALVE PIN
KIT 3b	1	13-00-0161/R	KIT RUBINETTO SCARICO CONDENSA 1/8 NPT	CONDENSATE DISCHARGE BODY VALVE1/8 NPT KIT
3.1	1	13-00-0164	VOLANTINO SCARICO CONDENSA	CONDENSATE DISCHARGE WHEEL
3.2	1	13-00-0163	MOLLA SCARICO CONDENSA	CONDENSATE DISCHARGE SPRING
3.3	1	13-00-0162	NYLON SCARICO CONDENSA	CONDENSATE DISCHARGE NYLON
3.4b	1	13-00-0161	CORPO RUBINETTO SCARICO CONDENSA 1/8 NPT	CONDENSATE DISCHARGE BODY VALVE1/8 NPT
3.5	1	6-05-004F	BECCUCCIO RUBIN.SCARICO COND.	DRAIN VALVE PIN
KIT 4	1	13-00-0505/N/R	KIT BLOCCHETTO VALVOLA SCARICO CONDENSA	CONDENSATE DISCHARGE VALVE
4.1	12	36-07-070	VITE TCEIZN M5x10-8.8 MCH36	SCREW TCEIZN M5x10-8.8 MCH36
4.2	3	13-00-0506	COPERCHIO CORPO VALVOLA SCAR.	CONDENSATE DISCHARGE BODY VALVE CAP
4.3	3	OR-2118	O RING 2118 70-75 SH (29.87x1.78)	O RING 2118 70-75 SH (29.87x1.78)
4.4	3	OR-2018	O RING 2018 70-75 SH (4,48X1,78)	O RING 2018 70-75 SH (4,48X1,78)
4.5	3	13-00-0507/A	PISTONE CIECO VALV. SCAR.CONDENSA 3 VIE	CONDENSATE DISCHARGE VALVE PISTON
4.6	3	OR-2100	O RING 2100 NBR 70SH	O RING 2100 NBR 70SH
4.7	3	SC000337/C/R	RACC. CORPO INPUT RIDUTT. DI PRESS. 300/200 BAR	PRESSURE REDUCER BODY INPUT 300/200BAR
4.8	1	13-00-0505/N	CORPO VALVOLA SCARICO CONDENSA 3 VIE MCH13/16 50X60	CONDENSATE DISCHARGE BODY VALVE MCH13-16
5	1	VITE0645I	VITE T.C.E. INOX 6x45	SCREW T.C.E. INOX 6x45
6	1	13-00-0142	RACC. DIRITTO M 1/8 NPT - M 1/8 NPT	STRAIGHT FITTING M 1/8 NPT - M 1/8 NPT
7	1	13-04-0221	ELETT. LP SCARICO COND. 2 VIE NC 1/4" NBR D.2 V.220/50-60	LP SOLENOID VALVE
8	1	13-03-0179	VALVOLA SICUREZZA 2° STADIO	2ND STAGE SAFETY VALVE
9	1	RACC/E2L31C08	RACC. L MASCHIO GIREVOLE CONICO E2L31C08 1/8 M TUBO 6	TURNING FITTING 1/8M TUBE6
10	3	RACC/E2001007W	RACC. DIRITTO CILINDRICO MASCHIO CON OR 1/8 E2001007W	1/8 E2001007W FITTING WITH OR
11	3	13-00-0174	Racc. 1/8 NPT 7/16 Tubo 6 mm	STRAIGHT 1/8 PIPE FITTING 6
12	2	RACC/E2006009W	RACC. L MASCHIO GIREVOLE CON OR E2006009W 1/8 TUBO 8	TURNING FITTING 90° WITH OR E2006009W 1/8 TUBE 8
13	1	00-00-0000	TUBO RILSAN NERO 60°C	Description
14	1	00-00-0000	TUBO RILSAN NERO 60°C	Description
15	6	00-00-0000	TUBO RILSAN 6x4	Description
16	1	00-00-0000	TUBO HP	Description
17	1	36-07-008	RACCORDO 90° 1/4NPT - 7/16	FITTING 90° 1/4NPT - 7/16
18	2	13-00-0144	RACCORDO 90° 1/8 - 7/16 TUBO 6mm	FITTING 90° 1/8 - TUBO 6mm
19	1	00-00-0000	TUBO HP	Description
20	3	RACC/R2L26006Y	RACCORDO E2L26006 Y MASCHIO TECNOPOLIMERO 2 X TUBO 6 1 1/8G	FITTING E2L26006 Y 2 X TUBE RILSAN6mm 1 1/8G
21	1	TAN/80/5-3L	TANICA SC 5I 3 FORI 18mm LATERALI	SC TANK 5I 3HOLE 18mm SIDE
22	3	RACC25531/83/8	RACCORDO 2553 1/8 3/8	2553 1/8 3/8 FITTING
23	1	SILENZ/2931	SILENZIATORE 2931 3/8 F	2931 3/8 F SILENCER
24	1	00-00-0000	TUBO HP	Description
25	1	00-00-0000	TUBO HP	Description
26	1	00-00-0000	TUBO HP	Description
27	1	00-00-0000	TUBO HP	Description

SCARICO CONDENZA - CONDENSATE DISCHARGE
 Mod: MCH26-32/ET Compact

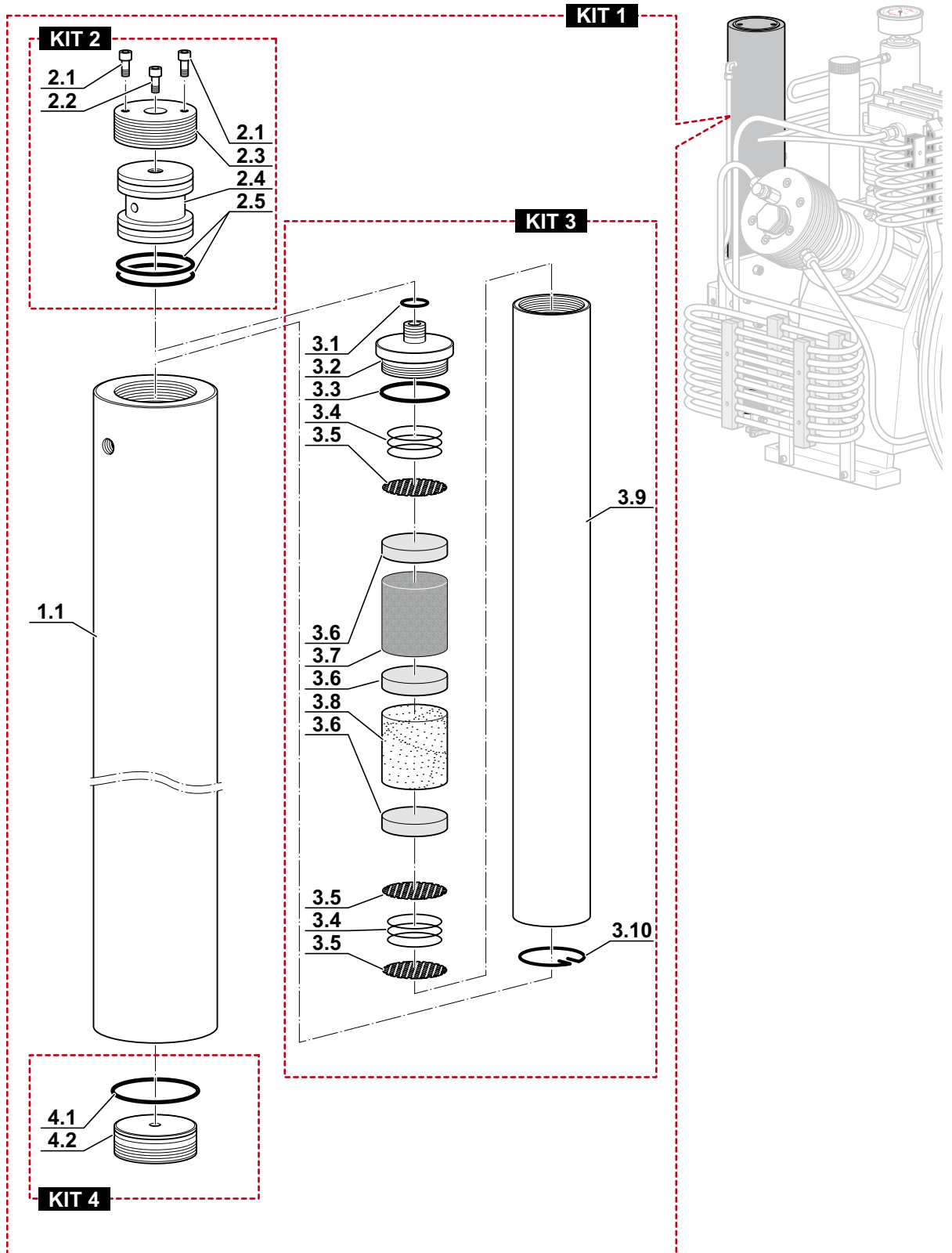


FILTRO CARBONI ATTIVI / SETACCIO MOLECOLARE ACTIVE CARBON FILTER / MOLECULAR SIEVE

Rif. Pos.	Q.tà Q.ty	Codice Code	Descrizione	Description
KIT1	1	13-00-0097/R	KIT MAXIFILTRO CARBONI ATTIVI SETACCIO MOLECOLARE	ACTIVE CARBON MAXIFILTER MOLECULAR SIEVE KIT
1.1	1	13-00-0097	CORPO MAXI FILTRO	MAXI FILTER BODY
KIT2	1	13-00-0154/R	KIT TAPPO SUPERIORE MAXIFILTRO	MAXIFILTER TOP PLUG KIT
2.1	2	VITE0820	VITE T.C.E. ZINC. 8X20	T.C.E. ZINC. 8X20 SCREW
2.2	1	13-00-0075	VITE T.C.E. ZINCATA 8x30	SCREW T.C.E. ZINCATA 8x30
2.3	1	13-00-0154	TAPPO SUPERIORE FILTRO	UPPER FILTER CAP
2.4	1	13-00-0156	TAPPO INTERNO FILTRO	INTERNAL FILTER CAP
2.5	2	13-00-0155	O-RING 6162 NBR90 (40.65x5,33)	O-R CAP FILTER
KIT3	1	SC000440	CART FILTRO FINALE MCH 13/16	AIR FILTER CARTRIDGE ACTIVE CARBON MCH13-16
3.1	1	13-00-0158	O-RING 3050 NBR 70(12.37x2.62)	O-R FILTER CARTRIDGE
3.2	1	13-00-0180	TAPPO CARTUCCIA FILTRO MCH13	FILTER CARTRIDGE CAP MCH13
3.3	1	13-00-0155	O-RING 6162 NBR90 (40.65x5,33)	O-R CAP FILTER
3.4	2	13-00-0188	MOLLA INTERNA CARTUCCIA FILTRO	INTERNAL SPRING FILTER CART.
3.5	3	13-00-0187	DISCO RETE INOX DIAM. 39mm	MESH DISK DIAM.39MM.
3.6	3	13-00-0189	DISCO FELTRO DIAMETRO 40mm	FELT DISK DIAM.40 MM. MCH13-16FOR FILTER CARTRIDGE
3.7	1	SC000350	CARBONE ATTIVO GRANULARE	ACTIVE CARBON
3.8	1	SC000380	SETACCIO MOLECOLARE	MOLECULAR SIEVE
3.9	1	13-05-0600	CORPO CARTUCCIA FILTRO MCH1316	CATRIDGE FILTER BODY MCH13/16
3.10	1	13-00-0191	ANELLO ELASTICO INOX CHIUSURA	ELASTIC RING FILTER CARTRIDGE MCH13-16
KIT4	1	13-00-0160/R	KIT TAPPO INFERIORE FILTRO MCH 13/16	LOWER FILTER CAP KIT
4.1	1	13-00-0155	O-RING 6162 NBR90 (40.65x5,33)	O-R CAP FILTER
4.2	1	13-00-0160	TAPPO INFERIORE FILTRO MCH 13/16	LOWER FILTER CAP

vedere listino accessori (*)
see accessories price list (*)

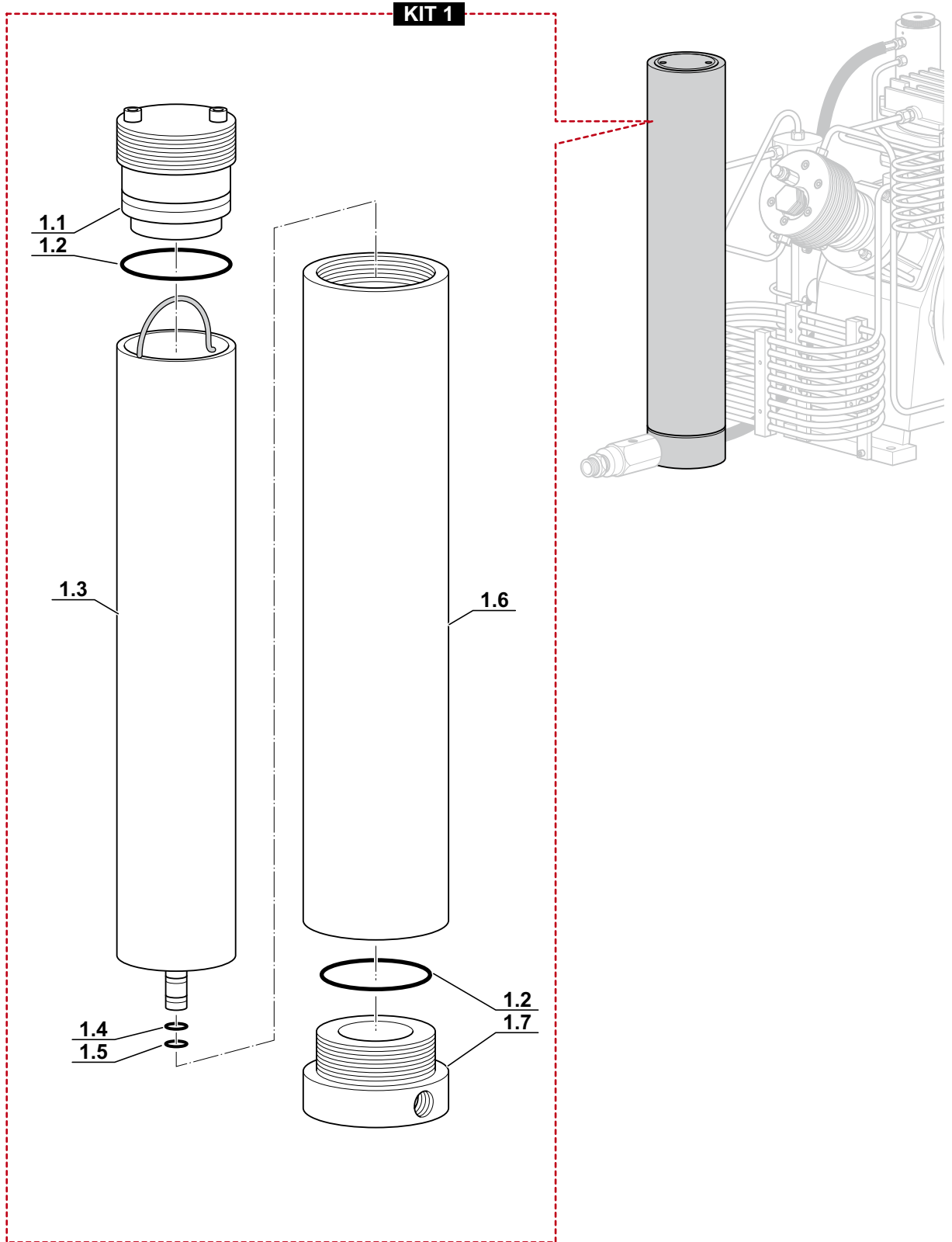
**FILTRO CARBONI ATTIVI / SETACCIO MOLECOLARE
ACTIVE CARBON FILTER / MOLECULAR SIEVE**



HYPERFILTER CARBONI ATTIVI / SETACCIO MOLECOLARE
ACTIVE CARBON HYPERFILTER / MOLECULAR SIEVE

Rif. Pos.	Q.tà Q.ty	Codice Code	Descrizione	Description
KIT1	1	36-07-034	KIT HYPERFILTER CARBONI ATTIVI	KIT ACTIVE CARBON HYPERFILTER
1.1	1	SC000547	TAPPO SUPERIORE SENZA SENSORE	UPPER PLUG WITHOUT SENSOR
1.2	2	36-07-031	O-RING 6250 NBR90 (62.87x5.34)	O-RING 6250 NBR90 (62.87x5.34)
1.3	1	36-07-034	CARTUCCIA HYPERFILTER AC/MS	HYPERFILTER AC/MS CARTRIDGE
1.4	1	36-07-033	O-RING 115 NBR 90 (11.91x2.62)	O-RING 115 NBR 90 (11.91x2.62)
1.5	1	36-07-032	O-RING 112 NBR 90 (9.92x2.62)	O-RING 112 NBR 90 (9.92x2.62)
1.6	1	SC000544	CORPO HYPER FILTER	HYPERFILTER BODY
1.7	1	SC000545	TAPPO INFERIORE HYPER FILTER	BOTTOM HYPER FILTER CAP - CPL W/O-RING

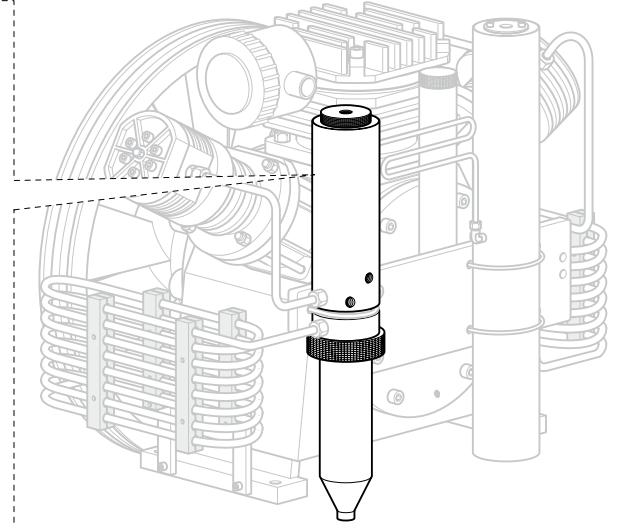
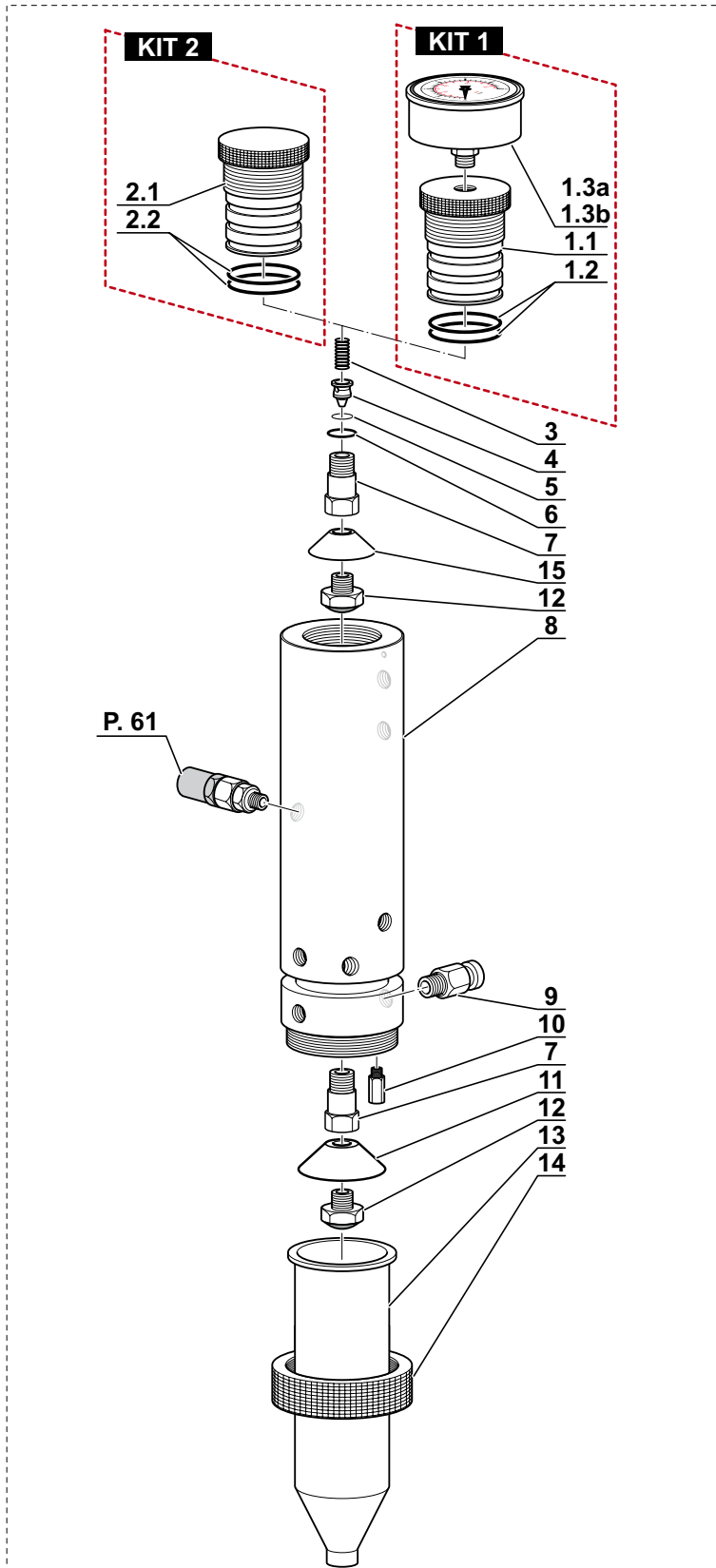
**HYPERFILTER CARBONI ATTIVI / SETACCIO MOLECOLARE
ACTIVE CARBON HYPERFILTER / MOLECULAR SIEVE**



SEPARATORE DI CONDENZA - CONDENSATE SEPARATOR

	Rif. Pos.	Q.tà Q.ty	Codice Code	Descrizione	Description
	KIT1	1	13-00-0118/R	KIT TAPPO SEPARATORE MCH13/16	CONDENSATE SEPARATOR PLUG KIT
	1.1	1	13-00-0118	TAPPO SEPARATORE MCH13/16	CONDENSATE SEPARATOR PLUG
	1.2	2	OR-4143/90	O RING 4143 NBR 90 (36,1X3,53)	O RING 4143 NBR 90 (36,1X3,53)
	1.3a	1	6-05-001A	MAN.0-400 BAR/PSI SENZA FLANGI	MANOMETER 0-400 BAR MCH/6
	1.3b	1	6-05-001A/600	MAN.0-600 BAR/PSI SENZA FLANGI	MANOMETER 0-600 BAR MCH/6
	KIT2	1	13-00-0118/S/R	KIT TAPPO SEPARATORE MCH13/16 SENZA FORO	CONDENSATE SEPARATOR PLUG WITHOUT HOLE KIT
	2.1	1	13-00-0118/S	TAPPO SEPARATORE MCH13/16 SENZA FORO	CONDENSATE SEPARATOR PLUG WITHOUT HOLE
	2.2	2	OR-4143/90	O RING 4143 NBR 90 (36,1X3,53)	O RING 4143 NBR 90 (36,1X3,53)
	3	1	SC000492/D	MOLLA VALVOLA DI NON RITORNO	CHECK VALVE SPRING
	4	1	SC000492/C	PISTONE VALVOLA DI NON RITORNO	CHECK VALVE PISTON
	5	1	OR-2021	O RING 2021 NBR 90(5,28x1.78)	O RING 2021 NBR 90(5,28x1.78)
	6	1	OR-114	O RING 114 NBR 70 (11.11x1.78)	O RING 114 NBR 70 (11.11x1.78)
	7	2	13-00-0121	RACC. PORTAFILTRO SEP. NUOVO MCH-13/16	MCH-13/16 SEPARATOR FITTING
	8	1	13-00-0115/N	CORPO SEPARATORE MCH13/16 NUOVO	NEW SEPARATOR BODY MCH13/16
	9	1	13-03-0179	VALVOLA SICUREZZA 2° STADIO	2ND STAGE SAFETY VALVE
	10	1	13-00-0141	DIFFUSORE SEPARATORE DI CONDENZA MCH13/16	NEW CONDENSATE SEPARATOR DIFFUSER MCH13/16
	11	1	ROND/48/12,5	RONDELLA DIAM. 48 C/F D.12,5 IN ALL. SP. 1	D48 C/F D.12,5 IN ALL. SP. 1 WASHER
	12	2	SILENZ/E90A4003	SILENZIATORE 1/4 E90A4003	SILENCER 1/4 E90A4003
	13	1	36-00-0600/180	SEPARATORE DIAM. 54 AISI 316L LUNGH. 180MM	D 54 AISI 316L LUNGH. 180MM SEPARATOR
	14	1	36-05-013	GHIERA SEPARATORE MCH36	SEPARATOR NUT MCH36
	15	1	ROND/38/12,5	RONDELLA DIAM. 38 C/F D.12,5 IN ALL. SP. 1	D38 C/F D.12,5 IN ALL. SP. 1 WASHER

SEPARATORE DI CONDENSA - CONDENSATE SEPARATOR



VALVOLA DI SICUREZZA - SAFETY VALVE

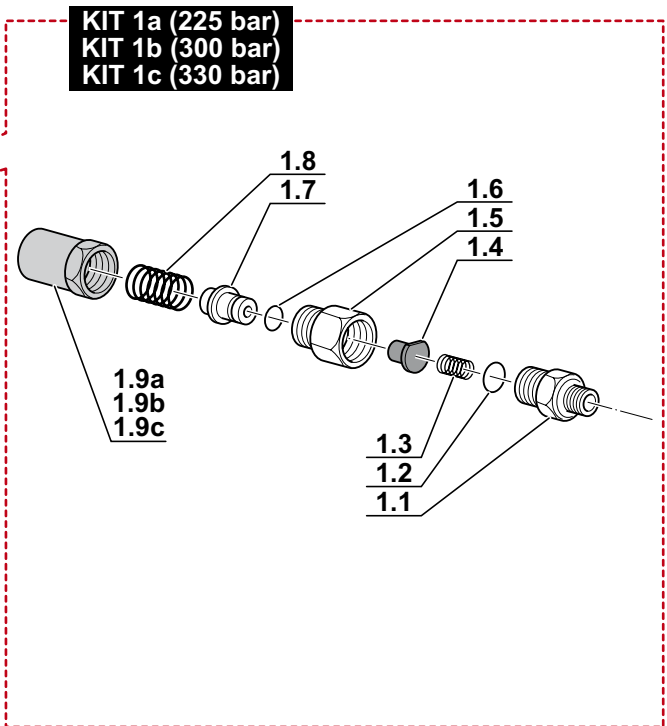
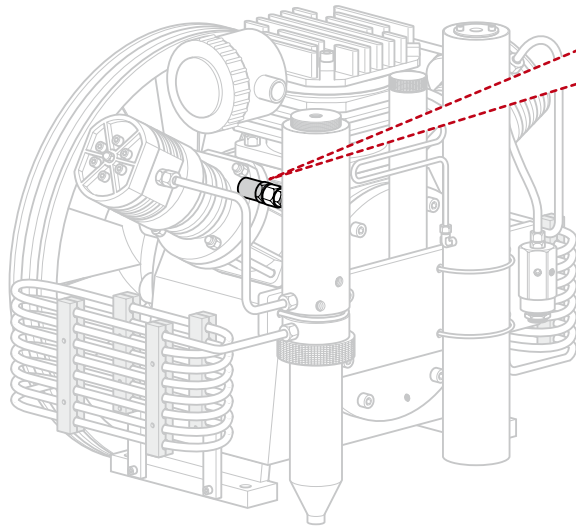
	Rif. Pos.	Q.tà Q.ty	Codice Code	Descrizione	Description
KIT 1a	KIT1a	1	6-05-015	VALVOLA SIC.COMPLETA 225BAR	FINAL SECURITY VALVE 200 BAR GOLD MCH6/MCH13-16
	1.1	1	13-00-0173	RACCORDO DIRITTO VALVOLA	SAFETY VALVE FITTING 1/8" NPT
	1.2	1	OR-114	O RING 114 NBR 70 (11.11x1.78)	O RING 114 NBR 70 (11.11x1.78)
	1.3	1	13-00-0171	MOLLA SEDE VALVOLA SICUREZZA	SAFETY VALVE SEAT SPRING
	1.4	1	13-00-0170	SEDE NYLON VALVOLA SICUREZZA	NYLON SAFETY VALVE SEAT
	1.5	1	13-00-0169	CORPO VALVOLA SICUREZZA	SAFETY VALVE BODY
	1.6	1	OR-2015	O RING 2015 NBR 90 (3,69X1,78) X VMP	O RING 2015 NBR 90 (3,69X1,78) X VMP
	1.7	1	13-00-0167	PISTONCINO VALVOLA SICUREZZA	SMALL SAFETY VALVE PISTON DIS. 2707
	1.8	1	13-00-0166	MOLLA VALVOLA SICUREZZA	SAFETY VALVE SPRING
	1.9a	1	6-05-015A	CORPO ANT. REG. VALV.SIC225BAR	SAFETY VALVE 225BAR REGULATION FRONT BODY
KIT 1b	KIT1b	1	6-05-015/300	VALVOLA SIC.COMPLETA 300 BAR	FINAL SECURITY VALVE 330 BAR RED MCH/6 MCH13/16
	1.1	1	13-00-0173	RACCORDO DIRITTO VALVOLA	SAFETY VALVE FITTING 1/8" NPT
	1.2	1	OR-114	O RING 114 NBR 70 (11.11x1.78)	O RING 114 NBR 70 (11.11x1.78)
	1.3	1	13-00-0171	MOLLA SEDE VALVOLA SICUREZZA	SAFETY VALVE SEAT SPRING
	1.4	1	13-00-0170	SEDE NYLON VALVOLA SICUREZZA	NYLON SAFETY VALVE SEAT
	1.5	1	13-00-0169	CORPO VALVOLA SICUREZZA	SAFETY VALVE BODY
	1.6	1	OR-2015	O RING 2015 NBR 90 (3,69X1,78) X VMP	O RING 2015 NBR 90 (3,69X1,78) X VMP
	1.7	1	13-00-0167	PISTONCINO VALVOLA SICUREZZA	SMALL SAFETY VALVE PISTON DIS. 2707
	1.8	1	13-00-0166	MOLLA VALVOLA SICUREZZA	SAFETY VALVE SPRING
	1.9b	1	6-05-015A/300	CORPO ANT. REG. VAL.SIC.300BAR	SAFETY VALVE 300BAR REGULATION FRONT BODY
KIT 1c	KIT1c	1	6-05-015/330	VALVOLA SIC.COMPLETA 330BAR	SAFETY VALVE 330 BAR MCH6/13/16/36
	1.1	1	13-00-0173	RACCORDO DIRITTO VALVOLA	SAFETY VALVE FITTING 1/8" NPT
	1.2	1	OR-114	O RING 114 NBR 70 (11.11x1.78)	O RING 114 NBR 70 (11.11x1.78)
	1.3	1	13-00-0171	MOLLA SEDE VALVOLA SICUREZZA	SAFETY VALVE SEAT SPRING
	1.4	1	13-00-0170	SEDE NYLON VALVOLA SICUREZZA	NYLON SAFETY VALVE SEAT
	1.5	1	13-00-0169	CORPO VALVOLA SICUREZZA	SAFETY VALVE BODY
	1.6	1	OR-2015	O RING 2015 NBR 90 (3,69X1,78) X VMP	O RING 2015 NBR 90 (3,69X1,78) X VMP
	1.7	1	13-00-0167	PISTONCINO VALVOLA SICUREZZA	SMALL SAFETY VALVE PISTON DIS. 2707
	1.8	1	13-00-0166	MOLLA VALVOLA SICUREZZA	SAFETY VALVE SPRING
	1.9c	1	6-05-015A/330	CORPO ANT. REG. VAL.SIC.330BAR	SAFETY VALVE 330BAR REGULATION FRONT BODY

VALVOLA MANTENIMENTO PRESSIONE - PRESSURE MAINTENANCE VALVE

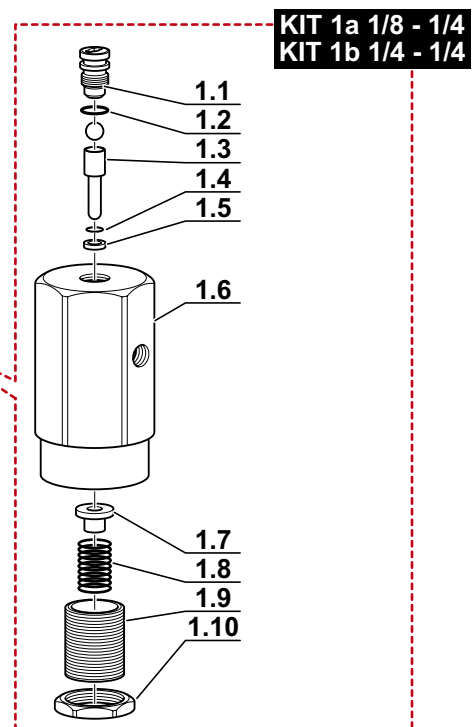
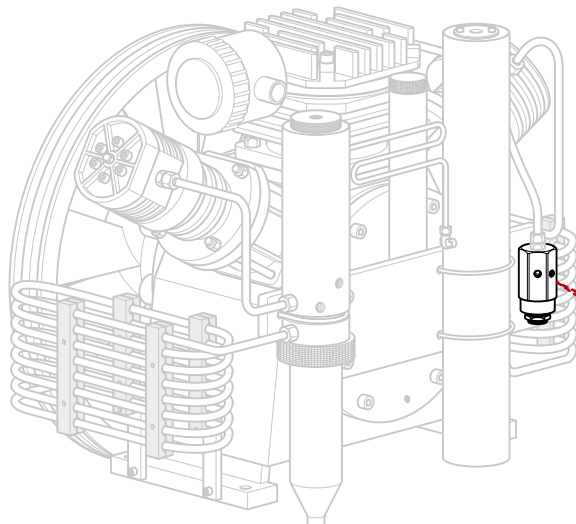
	Rif. Pos.	Q.tà Q.ty	Codice Code	Descrizione	Description
KIT 1a	KIT1a	1	13-00-0127	VALVOLA DI MANTENIMENTO 1/8 - 1/4	MAINTAINING PRESSURE VALVE MCH13/16 1/8 - 1/4
	1.1	1	13-00-0147/N1	VITE VALVOLA MANTENIMENTO MCH 13/16	MAINTENANCE VALVE SCREW MCH13/16
	1.2	1	OR-2025	O RING 2025 NBR 70 (6,07X1,78)	O RING 2025 NBR 70 (6,07X1,78)
	1.3	1	13-00-0149/N	PISTONE VALVOLA MANTENIMENTO MCH 13/16	MAINTENANCE VALVE PISTON MCH13/16
	1.4	1	OR-2015	O RING 2015 NBR 90 (3,69X1,78) X VMP	O RING 2015 NBR 90 (3,69X1,78) X VMP
	1.5	1	13-00-0158	O-RING 3050 NBR 70(12.37x2.62)	O-RING 3050 NBR 70(12.37x2.62)
	1.6	1	13-00-0147/N/1/8NPT	CORPO VALVOLA MANTENIMENTO MCH 13/16 1/8NPT	MAINTENANCE VALVE BODY MCH13/16 1/8 NPT
	1.7	1	13-00-0157	DISTANZIALE MOLLA PISTONE VPM	VMP PISTON SCREW SPACER
	1.8	1	13-00-0166	MOLLA VALVOLA SICUREZZA	SAFETY VALVE SPRING
	1.9	1	13-00-0151/N	CAPPUCIO VALVOLA MANT.PRESS. ALL.	VMP CAP
1.10	1	13-00-0147D/N	DADO VALV. MANTENIMENTO PRESSIONE ALL. M20X1,5	VMP NUT M20X1,5	
KIT 1b	KIT1b	1	36-07-044	VALVOLA MANTENIMENTO PRESSIONE MCH-36	PRESSURE MAINTENANCE VALVE MCH36
	1.1	1	13-00-0147/N1	VITE VALVOLA MANTENIMENTO MCH 13/16	MAINTENANCE VALVE SCREW MCH13/16
	1.2	1	OR-2025	O RING 2025 NBR 70 (6,07X1,78)	O RING 2025 NBR 70 (6,07X1,78)
	1.3	1	13-00-0149/N	PISTONE VALVOLA MANTENIMENTO MCH 13/16	MAINTENANCE VALVE PISTON MCH13/16
	1.4	1	OR-2015	O RING 2015 NBR 90 (3,69X1,78) X VMP	O RING 2015 NBR 90 (3,69X1,78) X VMP
	1.5	1	13-00-0158	O-RING 3050 NBR 70(12.37x2.62)	O-RING 3050 NBR 70(12.37x2.62)
	1.6	1	13-00-0147/N/1/4NPT	CORPO VALVOLA MANTENIMENTO MCH 13/16 1/4NPT	MAINTENANCE VALVE BODY MCH13/16 1/4 NPT
	1.7	1	13-00-0157	DISTANZIALE MOLLA PISTONE VPM	VMP PISTON SCREW SPACER
	1.8	1	13-00-0166	MOLLA VALVOLA SICUREZZA	SAFETY VALVE SPRING
	1.9	1	13-00-0151/N	CAPPUCIO VALVOLA MANT.PRESS. ALL.	VMP CAP
1.10	1	13-00-0147D/N	DADO VALV. MANTENIMENTO PRESSIONE ALL. M20X1,5	VMP NUT M20X1,5	

**VALVOLA DI SICUREZZA - VALVOLA MANTENIMENTO PRESSIONE
SAFETY VALVE - PRESSURE MAINTENANCE VALVE**

VALVOLA DI SICUREZZA - SAFETY VALVE



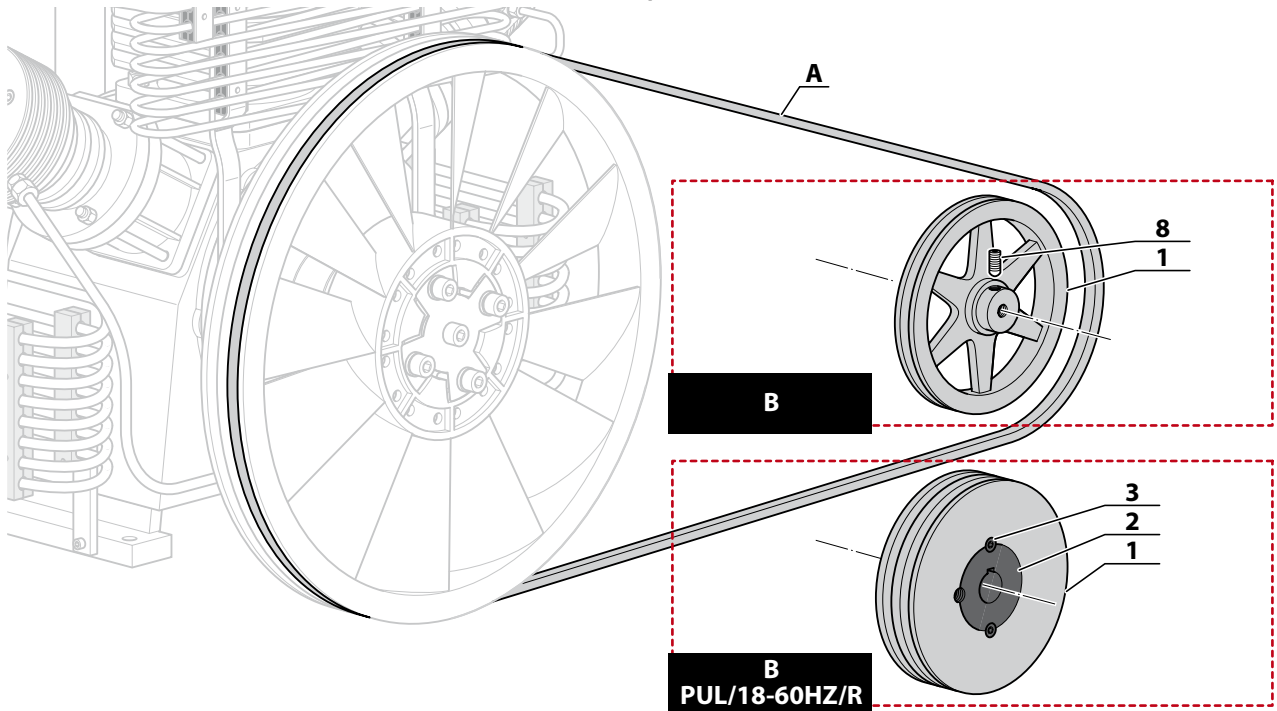
VALVOLA MANTENIMENTO PRESSIONE - PRESSURE MAINTENANCE VALVE



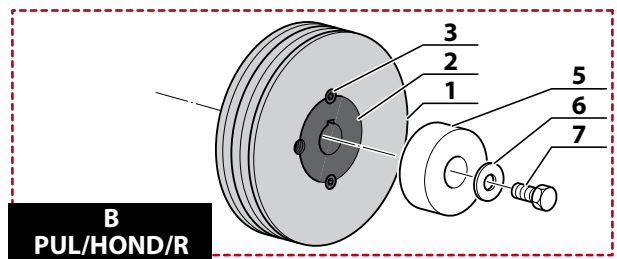
**PULEGGIA MOTORE/CINGHIA DI TRASMISSIONE
ENGINE PULLEY/TRANSMISSION BELT**

Compressore Compressor	Motorizzazione Powered by	Cinghia (A) Belt (A)	Ø Puleggia Ø Pulley	Puleggia (B) Pulley (B)	
MOTORI BENZINA - DIESEL / BENZIN-DIESEL ENGINE	MCH13/SH Standard	Honda Benzin GX270	CINGA76	Ø 170	PUL/HOND/R
	MCH16/SH Standard	Honda Benzin GX270	CINGA76	Ø 170	PUL/HOND/R
	MCH13/DL Standard	Lombardini Diesel D350	CINGA76	Ø 170	PUL/LOMB/R
	MCH16/DL Standard	Lombardini Diesel D400	CINGA76	Ø 170	PUL/LOMB/R
	MCH13/DY Standard	Yanmar Diesel L70	CINGA76	Ø 170	PUL/YANM/R
	MCH16/DY Standard	Yanmar Diesel L100	CINGA76	Ø 170	PUL/YANM/R
	MCH13/SH Tech	Honda Benzin GX270	CINGA76	Ø 170	PUL/HOND/R
	MCH16/SH Tech	Honda Benzin GX270	CINGA76	Ø 170	PUL/HOND/R
	MCH13/DL Tech	Lombardini Diesel D350	CINGA76	Ø 170	PUL/LOMB/R
	MCH16/DL Tech	Lombardini Diesel D400	CINGA76	Ø 170	PUL/LOMB/R
	MCH13/DY Tech	Yanmar Diesel L70	CINGA76	Ø 170	PUL/YANM/R
	MCH16/DY Tech	Yanmar Diesel L100	CINGA76	Ø 170	PUL/YANM/R
	MCH13/SH MiniTech	Honda Benzin GX270	CINGA76	Ø 170	PUL/HOND/R
	MCH16/SH MiniTech	Honda Benzin GX270	CINGA76	Ø 170	PUL/HOND/R
	MCH13/DL MiniTech	Lombardini Diesel D350	CINGA76	Ø 170	PUL/LOMB/R
	MCH16/DL MiniTech	Lombardini Diesel D400	CINGA76	Ø 170	PUL/LOMB/R
MCH13/DY MiniTech	Yanmar Diesel L70	CINGA76	Ø 170	PUL/YANM/R	
MCH16/DY MiniTech	Yanmar Diesel L100	CINGA76	Ø 170	PUL/YANM/R	
MOTORI ELETTRICI / ELECTRIC ENGINE	MCH8/EM Standard	Single-phase electric 3Kw-4Hp 230V 50Hz	CINGA68	Ø 140	PUL/140
		Single-phase electric 3Kw-4Hp 230V 60Hz	CINGA67	Ø 100	SC000403/1
	MCH11/EM Standard	Single-phase electric 4Kw-5.5Hp 230V 50Hz	CINGA70	Ø 190	PUL/190
		Single-phase electric 4Kw-5.5Hp 230V 60Hz	CINGA69	Ø 170	PUL/170
	MCH13/ET Standard	Three-phase electric 4Kw-5.5Hp 230V 50Hz	CINGA71	Ø 200	PUL/200/ELETRR
		Three-phase electric 4Kw-5.5Hp 400V 50Hz	CINGA71	Ø 220	SC000406
		Three-phase electric 4Kw-5.5Hp 230V 60Hz	CINGA69	Ø 170	PUL/170
		Three-phase electric 4.8Kw-6.5Hp 440V 60Hz	CINGA69	Ø 170	PUL/170
	MCH16/ET Standard	Three-phase electric 5.5Kw-7.5Hp 230V 50Hz	CINGA73	Ø 250	PUL/250
		Three-phase electric 5.5Kw-7.5Hp 400V 50Hz	CINGA73	Ø 250	PUL/250
		Three-phase electric 5.5Kw-7.5Hp 230V 60Hz	CINGA70	Ø 190	PUL/190
		Three-phase electric 6.6Kw-9Hp 440V 60Hz	CINGA70	Ø 190	PUL/190
	MCH8/EM Compact	Single-phase electric 3Kw-4Hp 230V 50Hz	CINGA69	Ø 140	PUL/140
		Single-phase electric 3Kw-4Hp 230V 60Hz	CINGA67	Ø 100	SC000403/1
	MCH11/EM Compact	Single-phase electric 4Kw-5.5Hp 230V 50Hz	CINGA70	Ø 190	PUL/190
		Single-phase electric 4Kw-5.5Hp 230V 60Hz	CINGA69	Ø 170	PUL/170
	MCH13/ET Compact	Three-phase electric 4Kw-5.5Hp 230V 50Hz	CINGA71	Ø 200	PUL/200/ELETRR
		Three-phase electric 4Kw-5.5Hp 400V 50Hz	CINGA72	Ø 220	SC000406
		Three-phase electric 4.8Kw-6.5Hp 230V 60Hz	CINGA70	Ø 170	PUL/170
		Three-phase electric 4.8Kw-6.5Hp 440V 60Hz	CINGA70	Ø 170	PUL/170
MCH16/ET Compact	Three-phase electric 5.5Kw-7.5Hp 230V 50Hz	CINGA74	Ø 250	PUL/250	
	Three-phase electric 5.5Kw-7.5Hp 400V 50Hz	CINGA74	Ø 250	PUL/250	
	Three-phase electric 6.6Kw-9Hp 230V 60Hz	CINGA71	Ø 190	PUL/190	
	Three-phase electric 6.6Kw-9Hp 440V 60Hz	CINGA71	Ø 190	PUL/190	
MCH26/ET Compact	Three-phase electric 2x4Kw-2x5.5Hp 230V 50Hz	CINGA71	Ø 220	SC000406	
	Three-phase electric 2x4Kw-2x5.5Hp 400V 50Hz	CINGA71	Ø 220	SC000406	
	Three-phase electric 2x4.8Kw-2x6.5Hp 230V 60Hz	CINGA69	Ø 170	PUL/170	
	Three-phase electric 2x4.8Kw-2x6.5Hp 440V 60Hz	CINGA69	Ø 170	PUL/170	

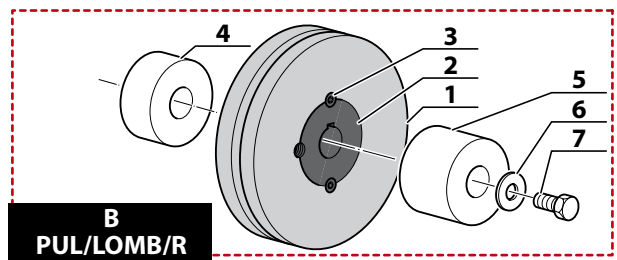
**PULEGGIA MOTORE/CINGHIA DI TRASMISSIONE
ENGINE PULLEY/TRANSMISSION BELT**



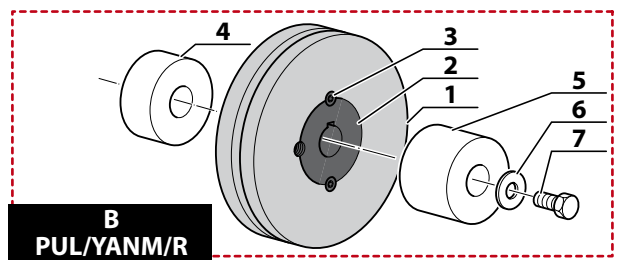
MOTORI ELETTRICI / ELECTRIC ENGINE



**B
PUL/HOND/R**



**B
PUL/LOMB/R**



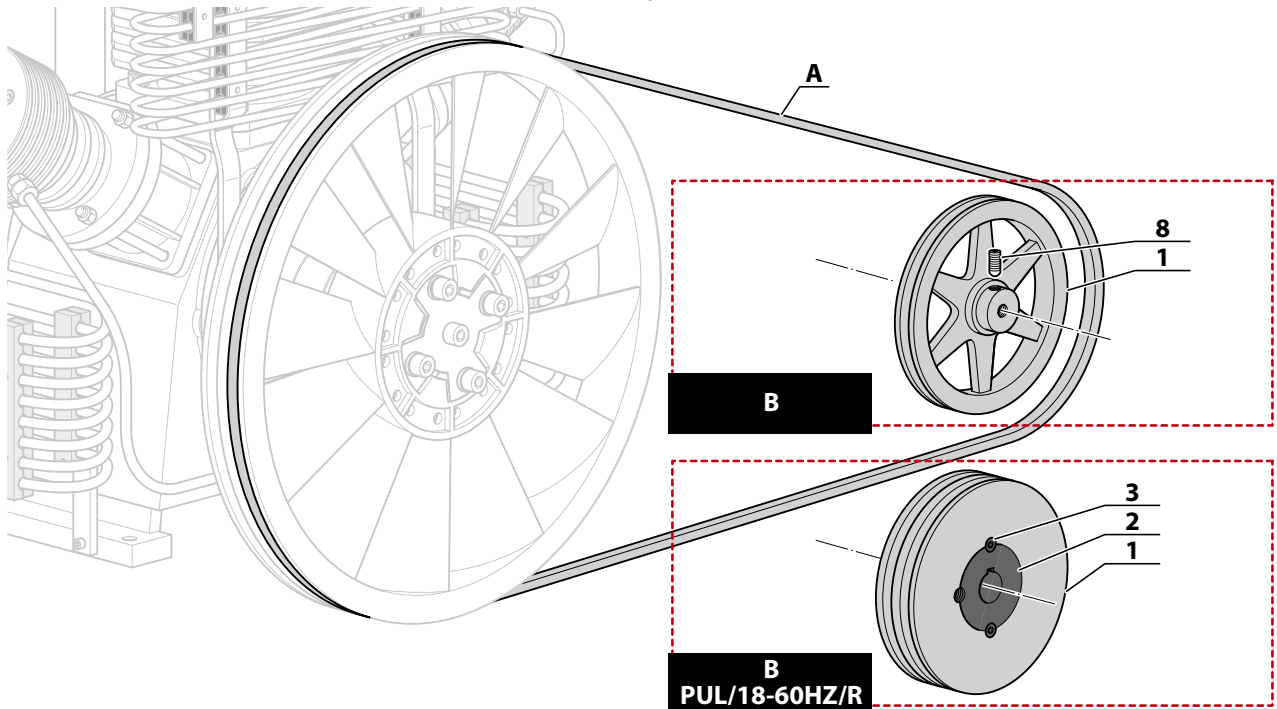
**B
PUL/YANM/R**

MOTORI BENZINA - DIESEL / BENZIN-DIESEL ENGINE

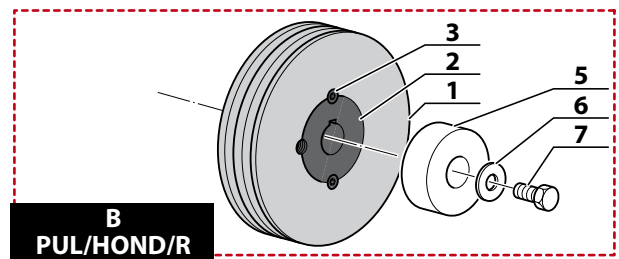
Compressore Compressor	Motorizzazione Powered by	Cinghia (A)	ø Puleggia	Puleggia (B)
		Belt (A)	ø Pulley	Pulley (B)
MCH32/ET Compact	Three-phase electric 2x5.5Kw-2x7.5Hp 230V 50Hz	CINGA73	Ø 250	PUL/250
	Three-phase electric 2x5.5Kw-2x7.5Hp 400V 50Hz	CINGA73	Ø 250	PUL/250
	Three-phase electric 2x6.6Kw-2x9Hp 230V 60Hz	CINGA70	Ø 190	PUL/190
	Three-phase electric 2x6.6Kw-2x9Hp 440V 60Hz	CINGA70	Ø 190	PUL/190
MCH13/ET Compact Evo	Three-phase electric 4Kw-5.5Hp 230V 50Hz	CINGA71	Ø 200	PUL/200/ELETR
	Three-phase electric 4Kw-5.5Hp 400V 50Hz	CINGA72	Ø 220	SC000406
	Three-phase electric 4.8Kw-6.5Hp 230V 60Hz	CINGA70	Ø 170	PUL/170
	Three-phase electric 4.8Kw-6.5Hp 440V 60Hz	CINGA70	Ø 170	PUL/170
MCH16/ET Compact Evo	Three-phase electric 5.5Kw-7.5Hp 230V 50Hz	CINGA74	Ø 250	PUL/250
	Three-phase electric 5.5Kw-7.5Hp 400V 50Hz	CINGA74	Ø 250	PUL/250
	Three-phase electric 6.6Kw-9Hp 230V 60Hz	CINGA71	Ø 190	PUL/190
	Three-phase electric 6.6Kw-9Hp 440V 60Hz	CINGA71	Ø 190	PUL/190
MCH18/ET Compact Evo	Three-phase electric 7.5Kw-10Hp 230V 50Hz	CINGA76	Ø 280	PUL/18-60HZ/R
	Three-phase electric 7.5Kw-10Hp 400V 50Hz	CINGA76	Ø 280	PUL/18-60HZ/R
	Three-phase electric 7.5Kw-10Hp 230V 60Hz	CINGA73	Ø 220	SC000406
	Three-phase electric 7.5Kw-10Hp 440V 60Hz	CINGA73	Ø 220	SC000406
MCH13/ET Compact M	Three-phase electric 4Kw-5.5Hp 230V 50Hz	CINGA71	Ø 200	PUL/200/ELETR
	Three-phase electric 4Kw-5.5Hp 400V 50Hz	CINGA72	Ø 220	SC000406
	Three-phase electric 4.8Kw-6.5Hp 230V 60Hz	CINGA70	Ø 170	PUL/170
	Three-phase electric 4.8Kw-6.5Hp 440V 60Hz	CINGA70	Ø 170	PUL/170
MCH16/ET Compact M	Three-phase electric 5.5Kw-7.5Hp 230V 50Hz	CINGA74	Ø 250	PUL/250
	Three-phase electric 5.5Kw-7.5Hp 400V 50Hz	CINGA74	Ø 250	PUL/250
	Three-phase electric 6.6Kw-9Hp 230V 60Hz	CINGA71	Ø 190	PUL/190
	Three-phase electric 6.6Kw-9Hp 440V 60Hz	CINGA71	Ø 190	PUL/190
MCH16/EM Compact E1	Three-phase electric 5.5Kw-7.5Hp 230V 50Hz	-	-	0
	Three-phase electric 5.5Kw-7.5Hp 230V 60Hz	-	-	0
MCH13/ETS SuperSilent Evo	Three-phase electric 4Kw-5.5Hp 230V 50Hz	CINGA72	Ø 220	SC000406
	Three-phase electric 4Kw-5.5Hp 400V 50Hz	CINGA72	Ø 220	SC000406
	Three-phase electric 4.8Kw-6.5Hp 230V 60Hz	CINGA70	Ø 170	PUL/170
	Three-phase electric 4.8Kw-6.5Hp 440V 60Hz	CINGA70	Ø 170	PUL/170
MCH16/ETS SuperSilent Evo	Three-phase electric 5.5Kw-7.5Hp 230V 50Hz	CINGA74	Ø 250	PUL/250
	Three-phase electric 5.5Kw-7.5Hp 400V 50Hz	CINGA74	Ø 250	PUL/250
	Three-phase electric 6.6Kw-9Hp 230V 60Hz	CINGA71	Ø 190	PUL/190
	Three-phase electric 6.6Kw-9Hp 440V 60Hz	CINGA71	Ø 190	PUL/190
MCH18/ETS SuperSilent Evo	Three-phase electric 7.5Kw-10Hp 230V 50Hz	CINGA76	Ø 280	PUL/18-60HZ/R
	Three-phase electric 7.5Kw-10Hp 400V 50Hz	CINGA76	Ø 280	PUL/18-60HZ/R
	Three-phase electric 7.5Kw-10Hp 230V 60Hz	CINGA71	Ø 220	SC000406
	Three-phase electric 7.5Kw-10Hp 440V 60Hz	CINGA71	Ø 220	SC000406
MCH13/ETS MiniSilent	Three-phase electric 4Kw-5.5Hp 230V 50Hz	CINGA71	Ø 220	SC000406
	Three-phase electric 4Kw-5.5Hp 400V 50Hz	CINGA71	Ø 220	SC000406
	Three-phase electric 4.8Kw-6.5Hp 230V 60Hz	CINGA69	Ø 170	PUL/170
	Three-phase electric 4.8Kw-6.5Hp 440V 60Hz	CINGA69	Ø 170	PUL/170
MCH16/ETS MiniSilent	Three-phase electric 5.5Kw-7.5Hp 230V 50Hz	CINGA73	Ø 250	PUL/250
	Three-phase electric 5.5Kw-7.5Hp 400V 50Hz	CINGA73	Ø 250	PUL/250
	Three-phase electric 6.6Kw-9Hp 230V 60Hz	CINGA70	Ø 190	PUL/190
	Three-phase electric 6.6Kw-9Hp 440V 60Hz	CINGA70	Ø 190	PUL/190

MOTORI ELETTRICI / ELECTRIC ENGINE

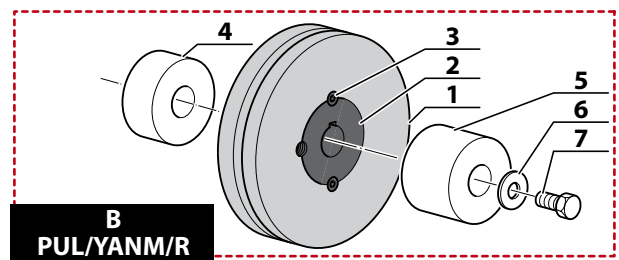
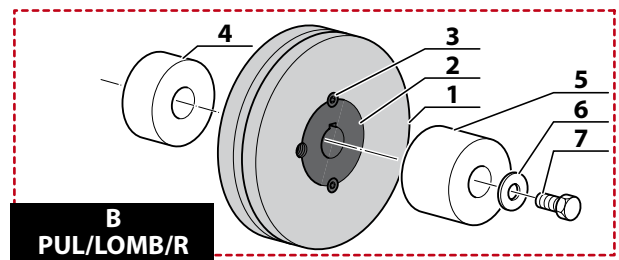
**PULEGGIA MOTORE/CINGHIA DI TRASMISSIONE
ENGINE PULLEY/TRANSMISSION BELT**



MOTORI ELETTRICI / ELECTRIC ENGINE



MOTORI BENZINA - DIESEL / BENZIN-DIESEL ENGINE



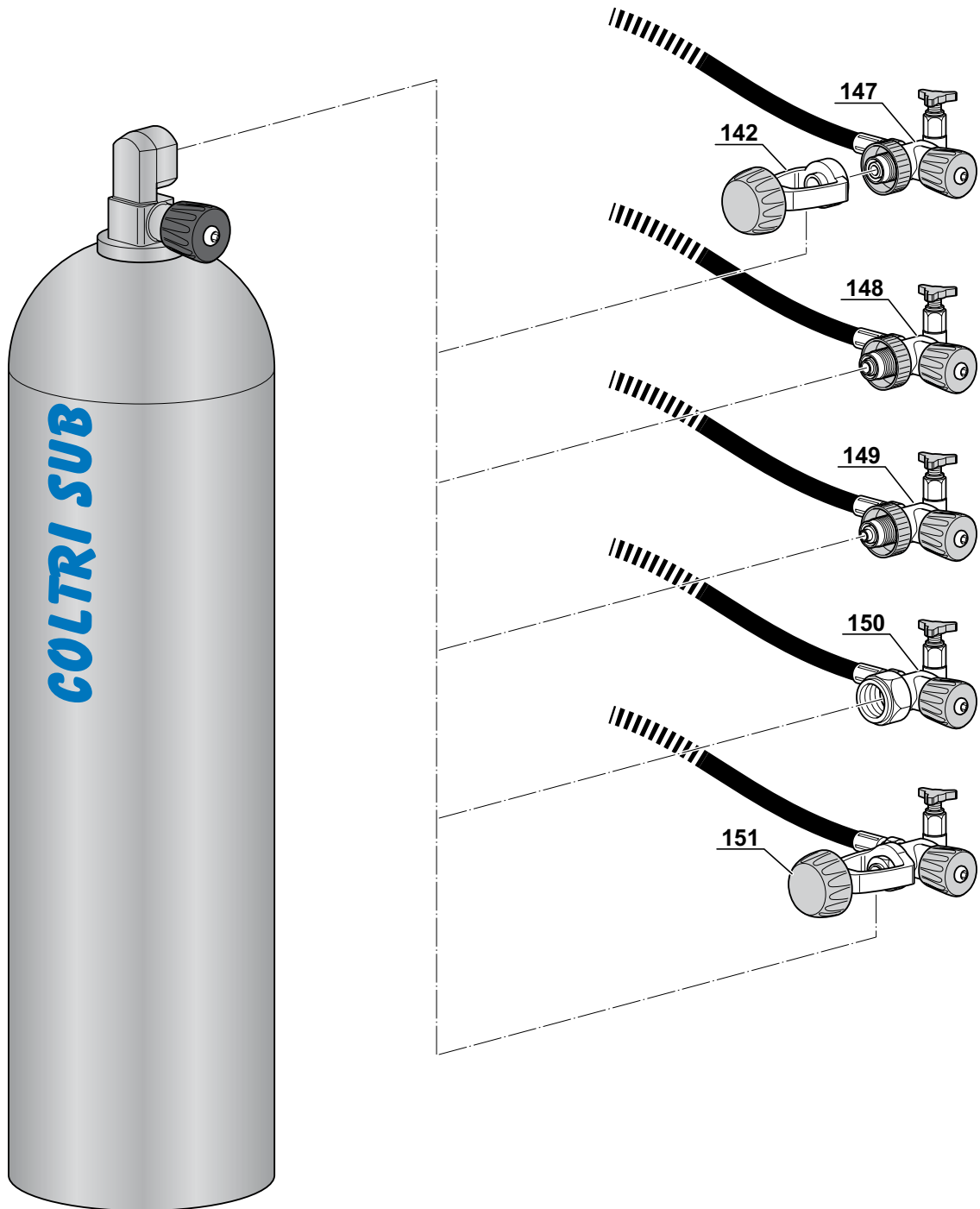
TARGHETTE DI SICUREZZA - SAFETY INFO LABEL

Rif. Pos.	Q.tà Q.ty	Codice Code	Descrizione	Description
139	1	ADES/SER/MCH6	Adesivo istruzioni MCH6	Instructions Sticker
140	1	ADES/NORME/SIC1	Adesivo norme sicurezza singolo	Safety Information Sticker - Single

ATTACCHI PER RICARICA BOMBOLE - CYLINDER REFILL CONNECTORS

Rif. Pos.	Q.tà Q.ty	Codice Code	Descrizione	Description
142	1	RE100350	Riduttore DIN/INT	Connector DIN/INT
147	1	SC000470	Attacco BC DIN 230	BC Valve DIN 230
148	1	SC000460/SP	Attacco BC DIN 300 USA	BC Valve DIN 300 USA
149	1	SC000460	Attacco BC DIN 300	BC Valve DIN 300
150	1	SC000475	Attacco BC Italia per autoprotettori SCBA	BC Valve Italian SCBA
151	1	SC000450	AttaccoBC INT	BC Valve INT

ATTACCHI PER RICARICA BOMBOLE - CYLINDER REFILL CONNECTORS



COLTRI ASIA PACIFIC

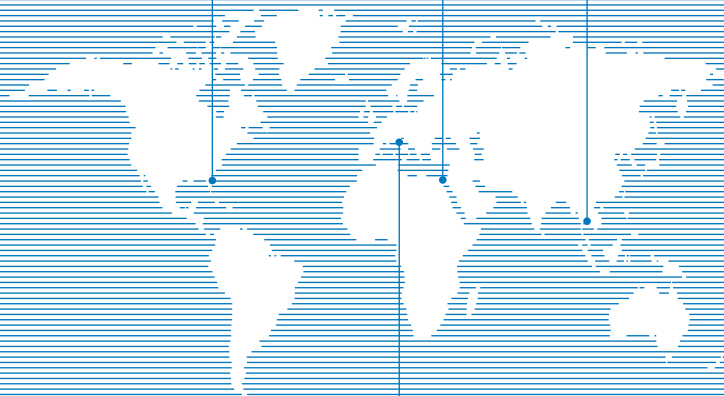
No. 94/5 , Moo. 3 , T. Khao Hin Sorn
A .Phanomsarakarm, Chachoengsao. 24120 Thailand
Tel: + 66 38 855 103 to 5
Fax: + 66 38 855 106
www.aerotecnicacoltriasiapacific.com
e-mail: c.benelli@aerotecnicacoltriasiapacific.com

COLTRI SUB EGYPT

El Rowayset (Industrial Area)
Sharm El Sheikh - South Sinai - Egypt
Tel: +20 (0) 366 44 74
Fax: +20 (0) 366 44 73
www.coltrisubegypt.com
e-mail: info@coltrisubegypt.com
bruno@coltrisubegypt.com
tim@coltrisubegypt.com

COLTRI AMERICAS

12493 NW 44th Street, Unit5
Coral Springs, FL 33065
Tel: 1-954-344-2420
Fax: 1-954-344-2421
www.coltriamericas.com
e-mail: info@coltriamericas.com
david@coltriamericas.com



AEROTECNICA COLTRI®

AEROTECNICA COLTRI Spa
Via Colli Storici, 177
25010 SAN MARTINO DELLA BATTAGLIA (BS) ITALY
Tel. +39 030 9910301
Fax. +39 030 9910283
www.coltricompressor.com

www.coltricompressor.com